

SCM410/SCM410E
FOUR CHANNEL AUTOMATIC MICROPHONE MIXER

SCM410/SCM410E
MÉLANGEUR AUTOMATIQUE À QUATRE CANAUX

SCM410/SCM410E
AUTOMATISCHER 4-KANAL-MIKROFON-MISCHER

SCM410/SCM410E
CONSOLA MEZCLADORA AUTOMATICA DE MICROFONOS DE CUATRO CANALES

SCM410/SCM410E
MIXER AUTOMATICO A QUATTRO CANALI PER MICROFONI



TABLE OF CONTENTS

DESCRIPTION	3
FEATURES	3
OPERATING PRINCIPLES	3
FRONT PANEL	3
REAR PANEL	4
DIP SWITCH FUNCTIONS	4
INSTALLATION	5
SUPPLIED HARDWARE	5
RACK MOUNTING	5
TABLE-TOP MOUNTING	6
FIXED MOUNTING	6
SCM410 CONNECTIONS	7
LINKING MULTIPLE MIXERS	7
BASIC MIXER OPERATION	8
LIMITER	8
EQUALIZER FUNCTIONS	8
SPECIFICATIONS	9
ADVANCED FUNCTIONS	10
LOGIC CONNECTION SPECIFICATIONS	10
SUGGESTED LOGIC APPLICATIONS	11




This symbol indicates that dangerous voltage constituting a risk of electric shock is present within this unit



This symbol indicates that there are important operating and maintenance instructions in the literature accompanying this unit.

WARNING: Voltages in this equipment are hazardous to life. No user-serviceable parts inside. Refer all servicing to qualified service personnel. The safety certifications do not apply when the operating voltage is changed from the factory setting.

! IMPORTANT SAFETY INSTRUCTIONS !

- | | |
|---|--|
| <ol style="list-style-type: none"> 1. READ these instructions. 2. KEEP these instructions 3. HEED all warnings 4. FOLLOW all instructions 5. DO NOT use this apparatus near water. 6. CLEAN ONLY with dry cloth. 7. DO NOT block any ventilation openings. Install in accordance with the manufacturer's instructions. 8. DO NOT install near any heat sources such as radiators, heat registers, stoves, or other apparatus (including amplifiers) that produce heat 9. DO NOT defeat the safety purpose of the polarized or grounding-type plug. A polarized plug has two blades with one wider than the other. A grounding type plug has two blades and a third grounding prong. The wider blade or the third prong are provided for your safety. If the provided plug does not fit into your outlet, consult an electrician for replacement of the obsolete outlet. 10. PROTECT the power cord from being walked on or pinched, particularly at plugs, convenience receptacles, and the point where they exit from the apparatus. 11. ONLY USE attachments/accessories specified by the manufacturer | <ol style="list-style-type: none"> 12.  USE only with a cart, stand, tripod, bracket, or table specified by the manufacturer, or sold with the apparatus. When a cart is used, use caution when moving the cart/apparatus combination to avoid injury from tip-over. 13. UNPLUG this apparatus during lightning storms or when unused for long periods of time. 14. REFER all servicing to qualified service personnel. Servicing is required when the apparatus has been damaged in any way, such as power-supply cord or plug is damaged, liquid has been spilled or objects have fallen into the apparatus, the apparatus has been exposed to rain or moisture, does not operate normally, or has been dropped. 15. DO NOT expose the apparatus to dripping and splashing. DO NOT put objects filled with liquids, such as vases, on the apparatus 16. The MAINS plug or an appliance coupler shall remain readily operable 17. The airborne noise of the apparatus does not exceed 70dB (A) 18. Apparatus with CLASS I construction shall be connected to a MAINS socket outlet with a protective earthing connection 19. To reduce the risk of fire or electric shock, do not expose this apparatus to rain or moisture 20. Do not attempt to modify this product. Doing so could result in personal injury and/or product failure. |
|---|--|

WARNING: This product contains a chemical known to the State of California to cause cancer and birth defects or other reproductive harm.

DESCRIPTION

The Shure Model SCM410/E is a four-channel automatic microphone mixer for use in sound reinforcement, audio recording, and broadcast applications. The SCM410 dramatically improves audio quality in any application where multiple microphones are required. Any low-impedance dynamic or condenser microphone (including wireless) can be used with the SCM410. Multiple SCM410 mixers can be linked to other SCM410 mixers, as well as to Shure Models FP410, SCM810, and SCM800.

Each input channel has a two-band equalizer and three logic terminals. The equalizer reduces unwanted low-frequency audio pickup and makes different microphone types—lavaliers, boundary and handheld—sound similar. The logic terminals can be used to control external devices.

The SCM410 operates on 100-120 Vac power and the SCM410E operates on 220-240 Vac power. Each mixer is supplied with a power cord, rack-mounting hardware, and a link cable.

FEATURES

- Fast, noise-free microphone selection, which automatically adjusts to changes in background noise
- Automatic gain adjustment as additional microphones are activated—NOMA (Number of Open Microphones Attenuated)
- Last Mic Lock-On circuit maintains ambient sound
- Fits in half-rack space
- Adjustable EQ for each channel
- Active balanced microphone-level XLR inputs and an active balanced Mic/Line level XLR output
- Unbalanced auxiliary-level phono output
- Bi-color channel activation and clipping LEDs
- Peak-responding output limiter with LED indicator
- Peak-responding output level meter

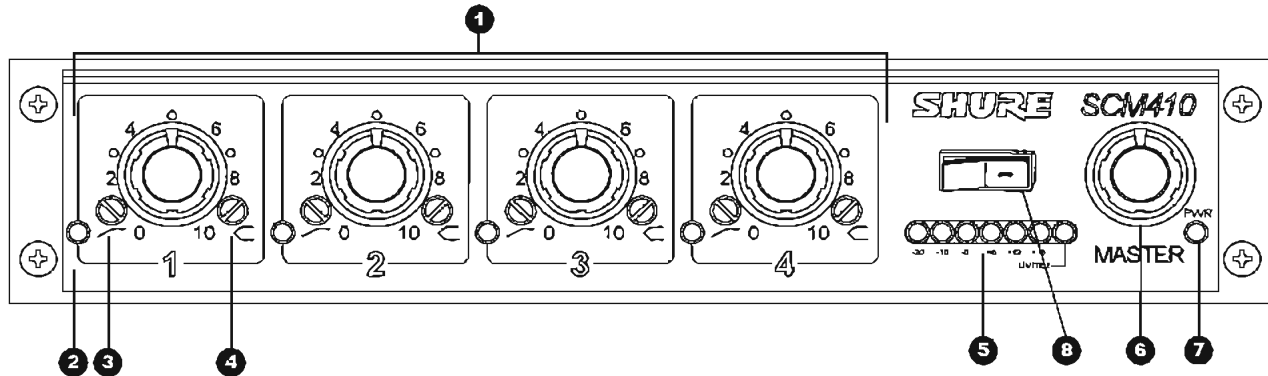
OPERATING PRINCIPLES

The operating concept behind the SCM410 Automatic Mixer is Shure's patented* *IntelliMix*® circuitry. *Intellimix* delivers seamless automatic mixing by combining three separate functions:

- **Noise Adaptive Threshold.** Distinguishes between constant background noise (such as air conditioning) and changing sound (such as speech) for each input channel. It continuously adjusts the activation threshold so that only speech levels louder than the background noise activate a channel
- **MaxBus.** Controls the number of channels that may be activated for a single sound source. One talker activates only one channel, even if multiple microphones "hear" that talker.
- **Last Mic Lock-On.** Keeps the most recently activated microphone open until another microphone is activated. Without Last Mic Lock-On, a long pause in conversation would cause all microphones to turn off, which would sound as if the audio signal had been lost. Last Mic Lock-On ensures that background ambience is always present.

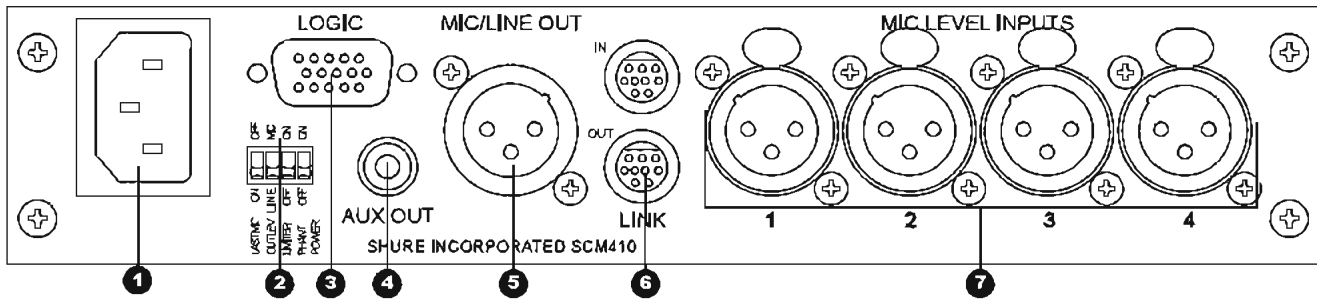
*U.S. Patents 4,658,425 and 5,297,210. *IntelliMix* is a registered trademark of Shure Incorporated.

FRONT PANEL



- 1 **Microphone Channel Gain Controls 1 - 4:** Allows adjustment of microphone gain.
- 2 **Input LED 1 - 4:** Lights green when channel is active; lights red at 6 dB below clipping level.
- 3 **Low-Cut Filter 1 - 4:** Provides adjustable low-frequency rolloff (high pass), reducing presence of undesirable low-frequency signals.
- 4 **High-Frequency Shelving Filter 1 - 4:** Provides level boost or cut in mid/high-frequency region for reduced sibilance from vocal microphones, or to compensate for off-axis coloration in lavalier microphones.
- 5 **Output Level Meter:** Six-segment LED meter indicates peak output signal level in dBu (0 dBu = 0.775V). The red LED illuminates when the output is 6 dB below clipping. The last LED indicates limiter action.
- 6 **MASTER Level Control:** Controls overall output level.
- 7 **POWER LED:** Lights green when mixer is plugged into a power source.
- 8 **POWER Switch**
Note: Country dependent

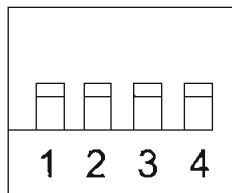
REAR PANEL



- ❶ **Power Connector:** Unit is energized when the power cord is plugged into a 100-120 Vac (SCM410) or 220-240 Vac (SCM410E) power source. **NOTE:** There is no power On/Off switch on this mixer.
- ❷ **DIP Switch:** The 4-position DIP switch provides additional functions. Refer to the “DIP Switch Functions” section.
- ❸ **Microphone Logic Connector:** High density DB-15 male connector provides logic connection to GATE OUT, MUTE IN, and OVERRIDE IN logic terminals on each channel. Refer to the “Advanced Functions” section. **NOTE:** THIS IS NOT A VGA MONITOR PORT.
- ❹ **AUX OUT Phono Connector:** Feeds consumer-level audio equipment, such as a tape recorder, VCR, or video camera. Not affected by MIC/LINE switch.
- ❺ **MIC/LINE XLR OUTPUT Connector:** Can be set for microphone or line-level output via a DIP switch.
- ❻ **LINK IN/OUT Connector:** Permits multiple SCM410/E, FP410, SCM810, SCM800, or AMS8100 mixers to be linked, creating additional inputs.
- ❼ **MIC LEVEL XLR INPUT Connectors:** Active balanced microphone-level XLR inputs. For instructions on how to modify the level of these inputs, refer to the “Internal Modifications” Addendum.

DIP SWITCH FUNCTIONS

The rear panel DIP switches, shown in Figure 1, provide the functions listed in the table below.



DIP SWITCHES
FIGURE 1

	Last Mic Lock-On	XLR Output Level	Limiter	12V Phantom Power
Switch Number	1	2	3	4
Switch Up	All mics off after hold time	Mic Level	ON	ON
Switch Down	ON*	Line Level*	OFF*	OFF*

*Factory setting.

Last Mic Lock-On: Keeps the most recently activated microphone turned on until another microphone is activated. When defeated, microphones turn off after their default hold time.

XLR Output Level: Sets the level of the XLR output to line or microphone level. Make sure the output level matches the input level of the device connected to the SCM410.

NOTE: The output level does not affect the auxiliary output (AUX OUT) level.

Limiter: Activates the output limiter and sets it to a default threshold of +16 dBu (see *Internal Modifications Addendum* for other threshold settings).

12V Phantom Power: When this switch is in the ON position, the SCM410 provides 12Vdc phantom power to each XLR microphone input. This function is particularly useful when using condenser microphones, since most condenser microphones require phantom power.

NOTE: Phantom power does not affect the operation of balanced dynamic microphones. They can be connected to the SCM410 in combination with condenser microphones that use phantom power. For instructions on how to disable phantom power by channel, refer to the “Internal Modifications” Addendum.

INSTALLATION

SUPPLIED HARDWARE

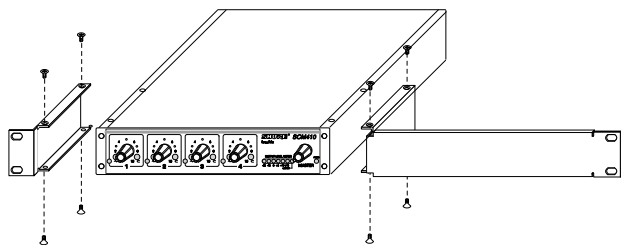
- 4 rubber feet
- 1 rackmount bracket, long
- 1 rackmount bracket, short
- 2 straddle brackets
- 10 bracket screws, 6 mm (1/4 in.)
- 4 rackmount screws, 2.54 cm (1 in.)
- 4 plastic washers
- 4 wood screws, 1.25 cm (1/2 in.)

RACK MOUNTING

The SCM410 is supplied with hardware for mounting one or two units to a 19-inch audio equipment rack. The hardware can also be used to rack mount other Shure products, including the SCM268, SCM262, DFR11EQ, and the DP11EQ.

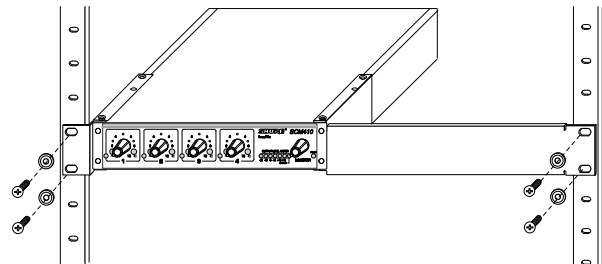
Single Mixer (Half Rack) Installation

1. Attach the short and long rackmount brackets to the SCM410/E with eight (8) of the supplied bracket screws.



INSTALLING HALF-RACK MOUNTING BRACKETS

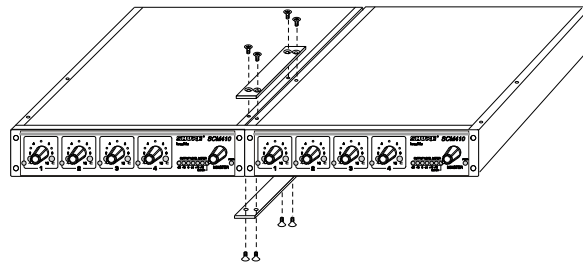
2. Place the mixer in an equipment rack and secure it with the supplied rackmount screws and plastic washers.



RACK MOUNTING A SINGLE SCM410/E MIXER

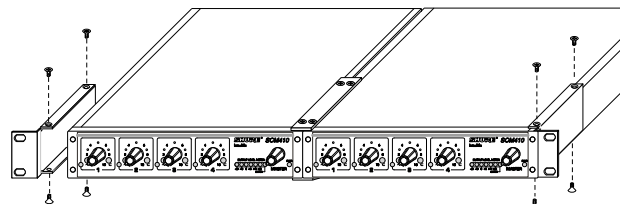
Dual Mixer (Full Rack) Installation

1. Place the two mixers side-by-side and connect them with two (2) straddle brackets. The brackets should straddle the recessed edges on the top and bottom of each mixer.



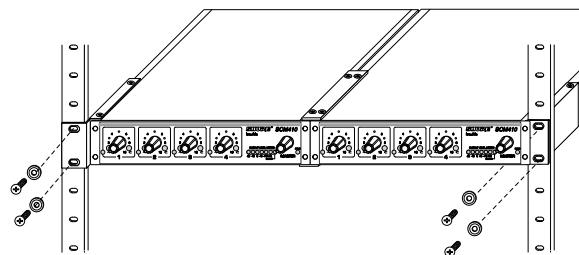
INSTALLING STRADDLE BRACKETS

2. Fasten the straddle brackets using eight (8) bracket screws.
3. Attach the *short* rackmount brackets to the outsides of the combined mixers with eight (8) of the bracket screws.



INSTALLING FULL-RACK MOUNTING BRACKETS

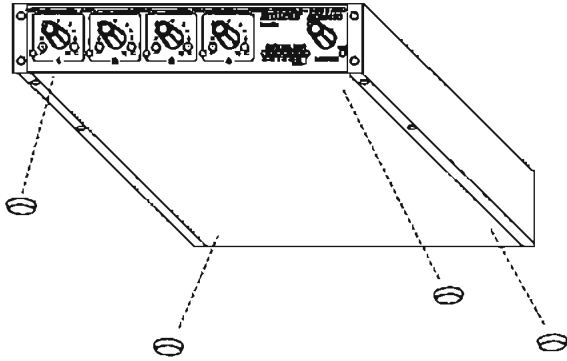
4. Place the mixer in an equipment rack, using the supplied rackmount screws and plastic washers.



RACK MOUNTING DUAL SCM410/E MIXERS

TABLE-TOP MOUNTING

Adhere the four (4) supplied rubber feet to the bottom of the mixer at each corner. This will keep it from sliding and protect the table surface.

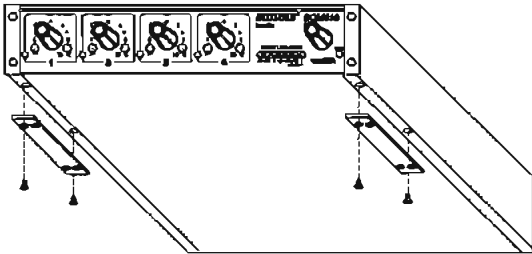


ATTACHING RUBBER FEET FOR TABLE-TOP MOUNTING

FIXED MOUNTING

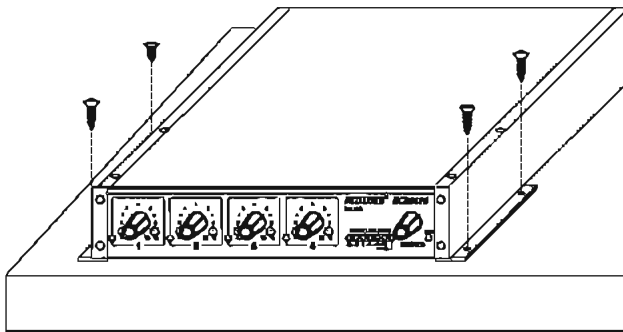
TOP MOUNT

1. Fasten the straddle brackets to the recessed edges of the chassis, using four (4) bracket screws.



INSTALLING STRADDLE BRACKETS FOR TOP MOUNTING

2. Fasten the straddle brackets to the top of the mounting surface, using the four (4) supplied wood screws.

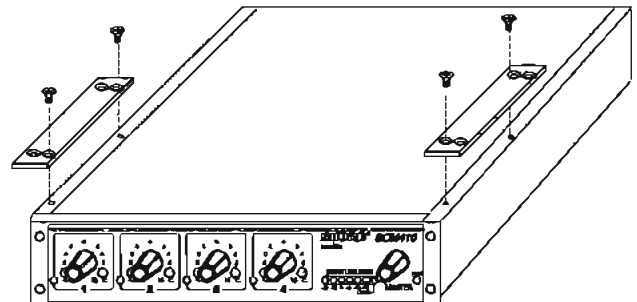


SECURING MIXER TO TOP MOUNTING SURFACE

HANGING MOUNT

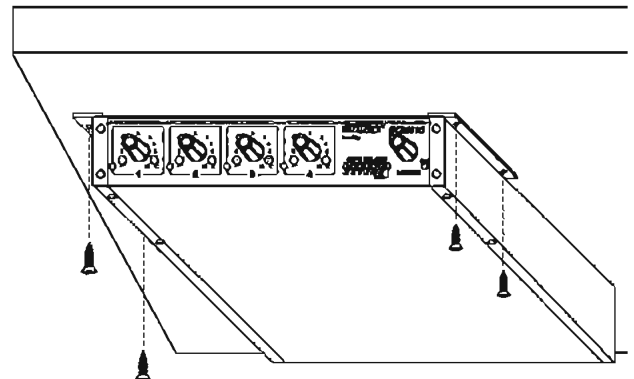
Note: The hardware provided is for attachment to wood. Other surfaces require the use of appropriate hardware rated for 15 lbs. or more.

1. Fasten the straddle brackets to the top of the mixer.



INSTALLING STRADDLE BRACKETS FOR HANG MOUNTING

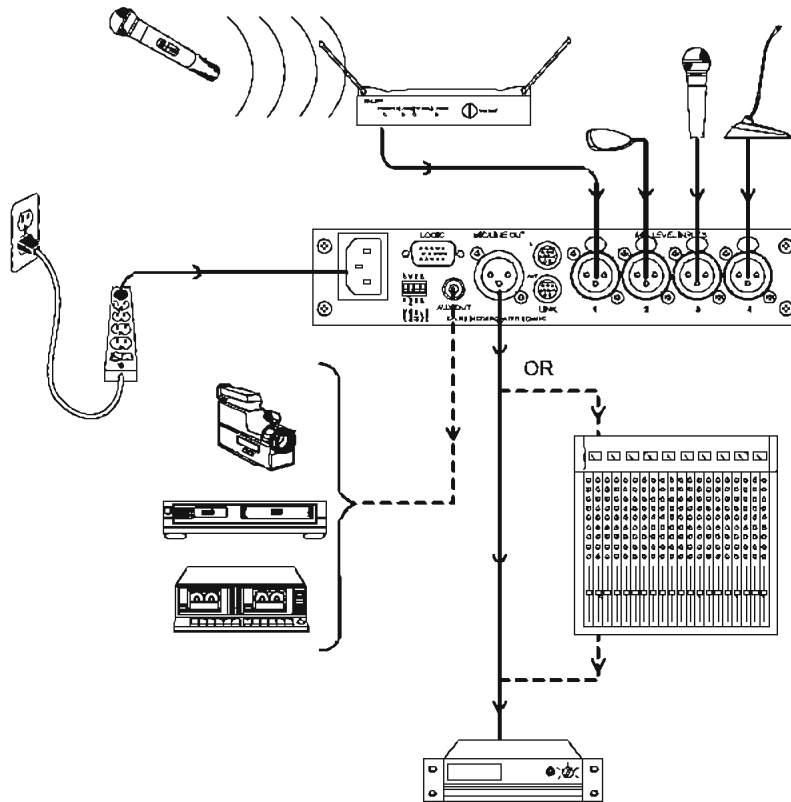
2. Fasten the straddle brackets to the bottom of the mounting surface, using the four (4) supplied wood screws.



SECURING MIXER TO BOTTOM MOUNTING SURFACE

SCM410 CONNECTIONS

1. Connect microphone signal sources to the Channel Input connectors. Use conventional 2-conductor shielded audio cables.
2. If any condenser microphones are connected, set the +12V phantom power DIP switch to ON.
3. Connect the SCM410 Mic/Line Level Output to the input of mixers, EQs, amplifiers or recorders.
4. Connect the power cord to 100-120 Vac (SCM410) or 220-240 Vac (SCM410E)



LINKING MULTIPLE MIXERS

If more than four inputs are needed, multiple Shure SCM410, FP410, or SCM810 mixers can be linked by connecting the LINK OUT of the first mixer to the LINK IN of the next mixer, and so on. See Figure 2.

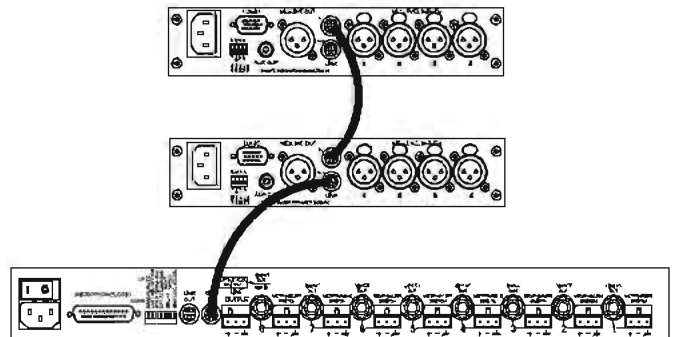
Leave the LINK IN jack of the *first* mixer and the LINK OUT jack of the *last* mixer unconnected.

When properly linked, the mixers will operate as a system. Automatic mixing functions will be shared by all units. All input signals appear at all linked mixer outputs. Each mixer's Master level control only controls its own output. However, actual off-attenuation will increase as more mixers are linked. This reduces excessive noise and reverberation contributed by the increased number of microphones.

IMPORTANT: When using logic terminals on linked mixers, connect the LOGIC GROUND terminals of each unit together.

NOTE: SCM410 link connections are unbalanced. To minimize hum and noise, avoid using longer link cables. Use high quality, shielded cable, and keep them away from sources of magnetic or electrical noise, such as power transformers or

light dimmers. To minimize ground currents, make sure linked mixers are connected to the same AC power mains.



LINKED SCM410 AND SCM810 MIXERS
FIGURE 2

BASIC MIXER OPERATION

1. Adjust each channel level so that its Overload LED flickers only during very loud speech or noise.
2. Adjust the Low-Cut and High-Frequency controls adjacent to each Input Gain control so that the microphones sound similar.
3. Adjust the Master level control for the required output level, as indicated by the output peak meter. The SCM410 is now ready for use.

LIMITER

Output limiters prevent distortion during loud program peaks without affecting normal program levels. This keeps the devices connected to the SCM410 output from becoming overloaded. Increasing individual or Master controls on the SCM410 increases average output and, in turn, the amount of limiting.

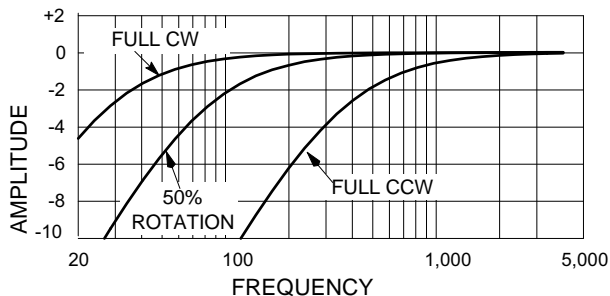
The limiter may be turned on via the rear panel DIP switch. The default limiter threshold is +16 dBu. As supplied, the limiter is defeated.

NOTE: Limiter thresholds can be changed from their factory settings. Refer to the "Internal Modifications" Addendum.

EQUALIZER FUNCTIONS

Low Cut Filter (High-Pass)

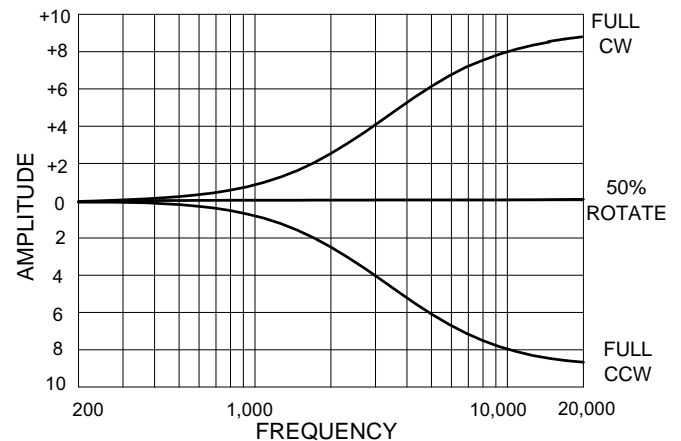
Low-cut filters are used to reduce unwanted low frequency sounds such as footsteps, motorized traffic, and to control proximity effect. The SCM410 has a one-pole, low-cut (high-pass) filter of 6 dB per octave. The low-cut filter allows all frequencies above its cutoff point to pass through unchanged. Frequencies below the cutoff are attenuated (see Figure 3). The cutoff point is defined as the frequency where the signal has dropped 3 dB relative to the flat, or bandpass, region. Below the cutoff point, the filter exhibits increasingly more attenuation as the frequency diminishes.



LOW-CUT FILTER EFFECTS
FIGURE 3

High-Frequency Shelving

The fixed-frequency equalizer produces a 6 dB boost or cut at 5 kHz and above (see Figure 4). High-frequency shelving is extremely useful for boosting flat frequency response and tempering sibilant vocal microphones or enhancing the sound of off-axis lavalier microphones.



HIGH-FREQUENCY SHELVING EFFECTS
FIGURE 4

SPECIFICATIONS

Measurement Conditions (unless otherwise specified): Line voltage 120 Vac, 60 Hz (SCM410) or 230 Vac, 50 Hz (SCM410E); full gain; 1 kHz, one channel activated; source impedances: Mic 150 Ω; terminations: Line/Mic Aux 10 kΩ

Frequency Response (at 1 kHz, channel controls centered)

50 Hz to 20 kHz ±2 dB; -3 dB corner at 25 Hz

Voltage Gain (typical, controls full clockwise)

Input	Output		
	Line	Mic	Aux
Low-impedance mic (150 Ω)	80 dB	40 dB	68 dB

Inputs

Input	Impedance		Input Clipping Level
	Designed for use with	Actual (typical)	
Mic	19-600 Ω	1.4 kΩ	-14 dBV

Outputs

Output	Impedance		Output Clipping Level
	Designed for use with	Actual (typical)	
Line	≥5k Ω	300 Ω	+22 dBV
Mic	≥600 Ω	3 Ω	-20 dBV
Aux	≥10k Ω	1.5 k Ω	+12 dBV

Total Harmonic Distortion

<0.1% at +4 dBu output level, 50 Hz to 20 kHz (through 22 Hz to 22 kHz filter; Input at 12 o' clock and Master at 12 o' clock, all other controls full counterclockwise)

Equivalent Input Noise: (150 Ω source; A-Weighted)

-127 dBV max., -129 dBV typical

Output Noise (channel controls full counterclockwise A-Weighted):

Master full counterclockwise: -101 dBV

Master full clockwise: -67 dBV

Common Mode Rejection

>70 dB at 1 kHz

Polarity

All inputs to all outputs are non-inverting

Input Channel Activation

Attack Time: 4 ms

Hold Time: 0.4 s

Decay Time: 0.5 s

Off-Attenuation

13 dB

Overload and Shorting Protection

Shorting outputs, even for prolonged periods, causes no damage. Microphone inputs are not damaged by signals up to +10 dBV (3V)

Equalization

Low-frequency: 6 dB/octave cut, adjustable corner from 25 to 320 Hz

High-frequency: shelving Filter, ±6 dB at 5 kHz, rising to ±8 dB at 10 kHz,

Limiter

Type: Peak

Threshold: +16 dBu (at output)

Attack Time: 2 ms

Recovery Time: 300 ms

Indicator: Lights red when limiting occurs

Input LEDs

Green on channel activation, red at 6 dB below clipping

Phantom Power

12 Vdc open-circuit through 680 Ω resistors

Operating Voltage

SCM410: 100-120 Vac rated nominal, 50/60 Hz,

100 mA (maximum)

SCM410E: 220-240 Vac rated nominal, 50/60 Hz,

50 mA (maximum)

Mains Inrush Current (230 Vac, SCM410E only)

0.7 A peak

Temperature Range

Operating: -7° to 49° C (20° to 120° F)

Storage: -29° to 74° C (-20° to 165° F)

Overall Dimensions

44 mm H x 219 mm W x 267 mm D (1-³/₄ x 8-⁵/₈ x 10-¹/₂ in.)

Net Weight

1.75 kg (3.86 lbs)

Certifications

SCM410: UL LISTED to UL 60065 and cUL LISTED to CAN/CSA-C22.2 No. 60065-3 Canada.

SCM410E: Conforms to applicable European Union Directives. Low Voltage Directive, 2006/95/EC: Certified to EN 60065. Eligible to bear CE marking. Conforms to European EMC Directive 2004/108/EC. Meets Harmonized Standards EN55103-1:1996 and EN55103-2:1996 for residential (E1) and light industrial (E2) environments.

Conforms to the relevant requirements of Regulation (EC) No. 1275/2008, as amended.

The CE Declaration of Conformity can be obtained from Shure Incorporated or any of its European representatives. For contact information please visit www.shure.com

The CE Declaration of Conformity can be obtained from: www.shure.com/europe/compliance

Authorized European Representative:

Shure Europe GmbH

Headquarters Europe, Middle East & Africa

Department: EMEA Approval

Jakob-Dieffenbacher-Str. 12

75031 Eppingen, Germany

Phone: +49-7262-92 49 0

Fax: +49-7262-92 49 11 4

Email: info@shure.de

Replacement Parts

Knob, Master (white).....	95A8238
Knob, Channel Gain (blue)	95B8238
Line (Power) Cord (SCM410)	95B8389
Line (Power) Cord (SCM410E)	95B8778
Link Cable	95B8889
Fuse, SCM410	
(5 x 20 mm, T 125mA L, 250V, time delay).....	80AA730
Fuse, SCM410E	
(5 x 20 mm, T 50mA L, 250V, time lag)	80J380
Long Rack Mount Bracket.....	53A8484
Short Rack Mount Bracket.....	53E8484
Straddle Bracket	53B8443
Bagged Hardware Kit.....	90AW8100

Optional Accessories

Line (Power) Cord, 230-240 Vac (UK)	95A8713
External 50 dB Line Pad	A15LA

Service Statement

For additional service or parts information, please contact the Shure Service Department at 1-800-516-2525. Outside the United States, please contact your authorized Shure Service Center.

ADVANCED FUNCTIONS

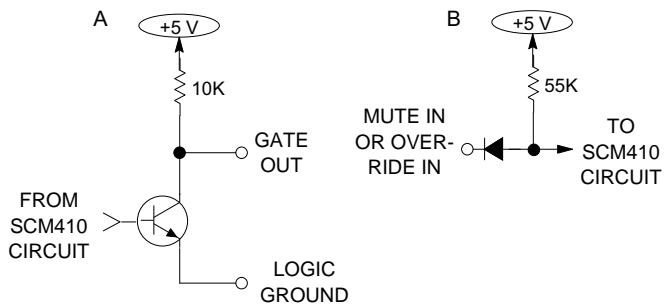
CAUTION: Use of Advanced Functions is recommended only for qualified audio technicians.

LOGIC CONNECTION SPECIFICATIONS

The SCM410 logic functions expand the range of installation and control options. Logic can be used for everything from simple cough switches to elaborate computer-controlled room systems. (Shure's *AMS Update* publication contains additional applications of advanced logic. This publication is available by contacting the Shure Applications Department.) The following logic functions are available for each channel:

GATE OUT: Follows channel gating and goes to logic "low" (sinks current) when microphone is gated on. 500 mA of current sinking ability is provided (see Figure 5A).

MUTE IN: Applying logic "low" (from GATE OUT or a switch closure to logic ground) gates channel off (see Figure 5B). Channel output drops to $-\infty$.



LOGIC EQUIVALENT CIRCUIT DIAGRAM
FIGURE 5

VERRIDE IN: Applying logic "low" (from GATE OUT or a switch closure to logic ground) forces channel on (see Figure 5B). When both Mute and Override are activated, Mute takes precedence (see *Internal Modifications Addendum* for Override precedence).

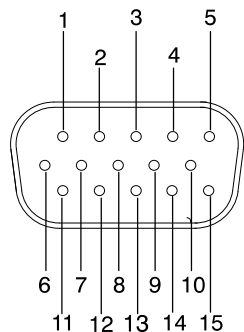
LOGIC GROUND: Logic ground is distinct from audio ground. Make all logic ground connections to this pin, including power supply ground of external logic circuitry. To avoid switching clicks, *do not* connect logic ground to audio, chassis or rack grounds.

Logic controls are accessed through the high density DB-15 multi-pin connector on the rear panel (Figure 6). Pin connections are shown in the following table.

LOGIC CONNECTIONS

Pin No.	Logic Function
1	VERRIDE IN 1
2	VERRIDE IN 2
3	VERRIDE IN 3
4	GATE OUT 4
5	LOGIC GROUND
6	GATE OUT 1
7	GATE OUT 2
8	GATE OUT 3
9	NO CONNECTION
10	MUTE IN 4
11	MUTE IN 1
12	MUTE IN 2
13	MUTE IN 3
14	VERRIDE IN 4
15	NO CONNECTION

Logic Function	Pin No.
GATE OUT 1	6
GATE OUT 2	7
GATE OUT 3	8
GATE OUT 4	4
VERRIDE IN 1	1
VERRIDE IN 2	2
VERRIDE IN 3	3
VERRIDE IN 4	14
MUTE IN 1	11
MUTE IN 2	12
MUTE IN 3	13
MUTE IN 4	10
LOGIC GROUND	5
NO CONNECTION	15
NO CONNECTION	9



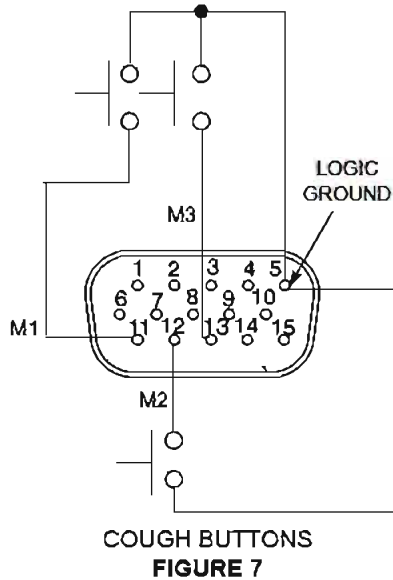
LOGIC CONNECTOR
FIGURE 6

SUGGESTED LOGIC APPLICATIONS

This section contains suggestions on the uses of the SCM410's logic capabilities. Note that uses of these functions are not limited to the listed applications. The user is limited only by imagination and creativity. For additional suggestions and solutions to installation problems, contact the Shure Applications Department

COUGH BUTTON

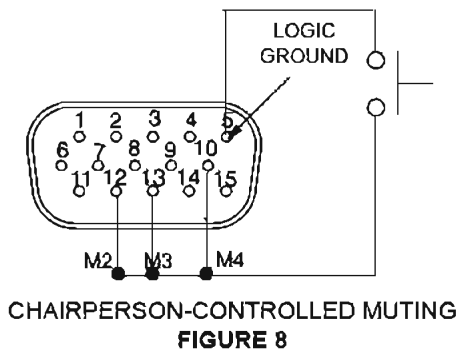
The talker can turn off his or her microphone during coughing or private conversations by installing an SPST pushbutton switch between the MUTE IN and Logic Ground pins for each channel to be modified (see Figure 7). When a channel is muted, no audio is passed. (See *Dead Zone on MUTE IN Defeat* paragraph in the *Internal Modifications Addendum* for more information on MUTE IN logic.)



CHAIRPERSON-CONTROLLED MUTING

The chairperson can, by activating a switch, silence all other microphones and be heard without interruption. For operation in this mode, connect all the MUTE IN pins together *except that of the chairperson's channel*, and wire an SPST pushbutton or toggle switch between those MUTE IN and Logic Ground pins (see Figure 8).

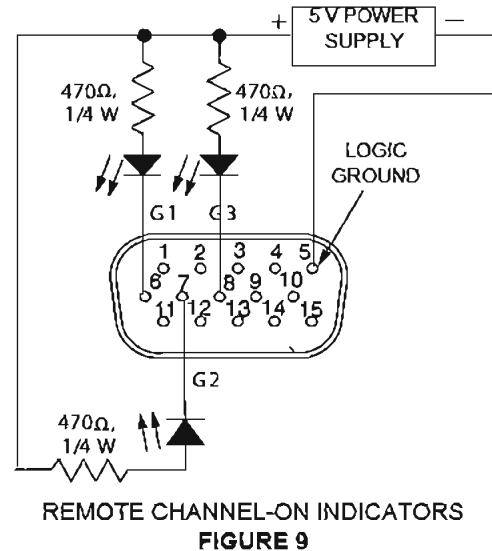
An alternative to a switch is to connect the chairperson's GATE OUT to the MUTE IN of other channels. When the chairperson's microphone activates, all other microphones mute



REMOTE CHANNEL-ON INDICATORS

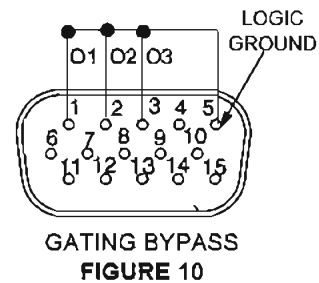
Remote indicators can be used to indicate when a talker's microphone is on. Connect the LEDs and a 5-volt supply to the GATE OUT pins (See Figure 9). To avoid switching clicks in the audio output, *do not* ground the power supply negative terminal in the audio system or rack ground.

IMPORTANT: If a single cable is used for the microphone audio signal and the LED dc power, separate shielded pairs must be used. Failure to carry the dc power on a shielded pair may result in audible clicking due to capacitive coupling between the dc power lines and microphone lines.



DISABLING THE GATING FUNCTION (BYPASS)

To keep certain microphones on at all times, wire the desired microphone channel's OVERRIDE IN pins together to the Logic Ground pin. The selected channels now function as they would in a non-automatic mixer (see Figure 10). To perform this modification internally on the mixer, refer to the *Shorting Override In to Logic Ground Internally* paragraph in the *Internal Modifications Addendum*.



INHIBITING GATING FOR UNWANTED SOUNDS

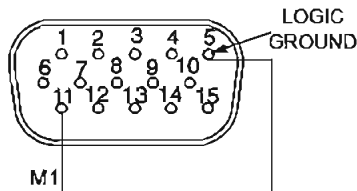
MaxBus attempts to activate only one microphone per sound source. Muting a microphone channel prevents its audio from appearing at the mixer's output. However, the muted microphone still communicates with other mic channels via MaxBus. A sound source picked up by a muted microphone will not activate other microphones.

Sound sources that may cause unwanted microphone channel activation include:

- Heating, ventilation, or air conditioning systems
- A noisy fax machine or printer
- A squeaky door
- A paging system loudspeaker
- An audio teleconferencing return signal loudspeaker

The SCM410 can prevent these and similar sounds from activating microphones as follows:

1. Place one microphone near the unwanted sound source. Connect that microphone's signal to a channel input, -or- connect the unwanted sound source directly into a channel input.
2. Mute that channel using the logic terminal (see Figure 11). To perform this modification internally on the mixer, refer to the *Shorting Mute In to Logic Ground Internally* paragraph in the *Internal Modifications Addendum*.
3. Adjust the channel gain control just past the level where unwanted sounds do not activate other microphones in the system. If the channel gain is set too high, the other microphones may not be activated by the desired sounds. If set too low, unwanted sounds will continue to activate other microphones.



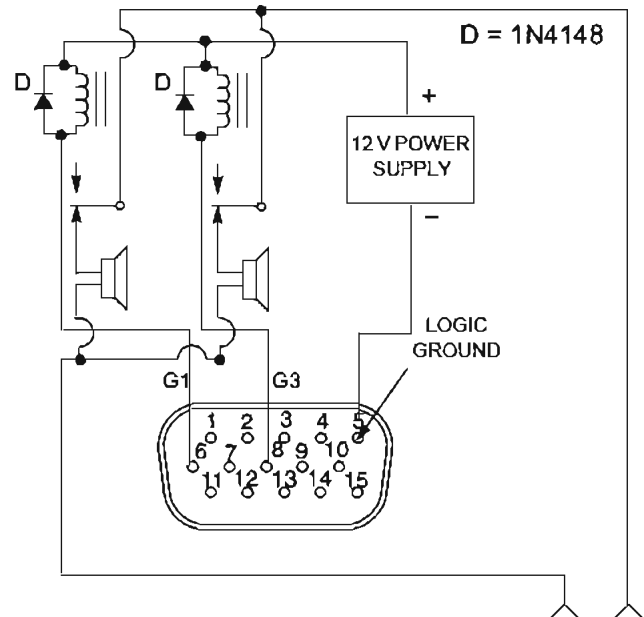
INHIBITING GATING FOR UNWANTED SOUNDS
FIGURE 11

LOUDSPEAKER MUTING

Some applications require a loudspeaker to be placed near each talker to provide audio reinforcement, or to permit telephone conversation or conference monitoring. Each loudspeaker can cause feedback unless it is automatically switched off when the talker near it speaks. To provide this function, connect the GATE OUT terminal of each channel to a separate loudspeaker muting relay (See Figure 12). Recommended relays are Radio Shack 275-248, Omron G2R-14-DC12 (Digi-Key number Z745-ND), Potter & Brumfield R10-E1Y2-V185 (Newark number 45F106), or equivalent.

NOTE: A diode across each relay coil is required to suppress inductive voltage spikes which may damage the SCM410.

An existing sound system using 24-volt relays can be used with the SCM410 without modification if the relay coil current draw is under 500 mA.



LOUDSPEAKER MUTING
FIGURE 12

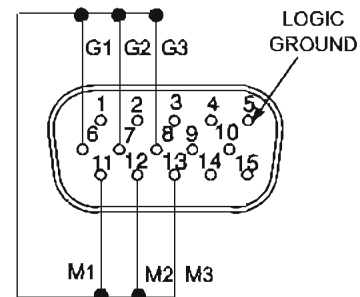
"FILIBUSTER" MODE

Normally, when several people talk, each microphone gates on so that no speech is missed. In "filibuster" mode, a microphone remains gated on until the talker pauses long enough for that microphone to gate off. No other microphone can gate on until that microphone gates off. This prevents talkers from being interrupted.

To establish filibuster mode, refer to Figure 13 and proceed as follows:

1. Perform the *Mute to Inhibit* modification as presented in the *Internal Modifications Addendum*.
2. Connect all the MUTE IN pins together on the modified channels.
3. Connect all the GATE OUT pins together on the modified channels.
4. Connect the GATE OUT pin of one modified channel to the MUTE IN pin of another modified channel.
5. Turn the Last Mic Lock-On switch to OFF.

NOTE: To prevent high-frequency oscillation, do not wire a GATE OUT pin to a MUTE IN pin on the same channel unless the *Mute to Inhibit* modification has been made.



"FILIBUSTER" MODE
FIGURE 13

INHIBIT FUNCTION

For information on the inh bit function, refer to the *Internal Modifications Addendum*.

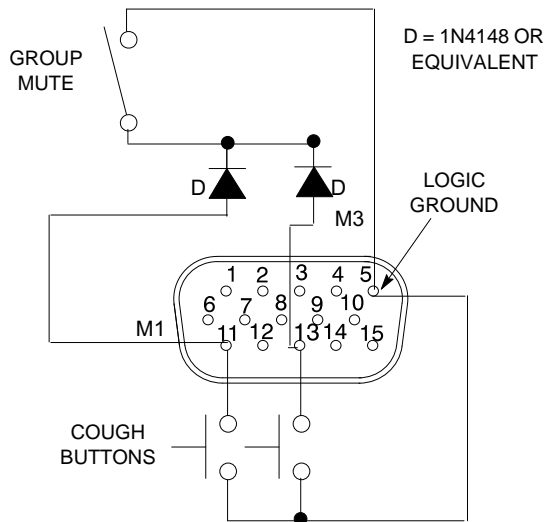
REMOTE VOLUME CONTROL

The level of the Aux or Master output can be controlled from an external VCA (Voltage Controlled Amplifier) such as the RU-VCA1 from Radio Design Labs (Tel. 1-800-281-2683, or www.rdlnet.com). To connect a VCA to the SCM410, proceed as follows:

1. Connect the SCM410 Line output to the VCA line input.
2. Connect the VCA line output to the external device.
3. For remote Master level control, set the SCM410 Master control to 5.

DIODE ISOLATION OF LOGIC CONTROLS

Two or more control functions that use the same logic pins can be isolated with diodes, as shown in Figure 14. With this modification, a channel can be muted by an overall group mute switch, or by its own cough button.

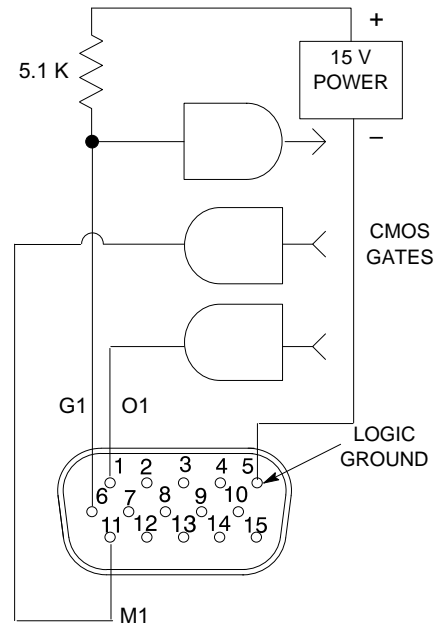


DIODE ISOLATION OF LOGIC TERMINALS
FIGURE 14

EXTERNAL LOGIC DEVICES

SCM410 logic levels are directly compatible with TTL and 5V CMOS logic families. Mixer logic may be used with 15V CMOS logic if a pull-up resistor is used with each GATE output. See Figure 15.

NOTE: For information on logic gate use, refer to the *TTL Cookbook* and *CMOS Cookbook*, both by D. Lancaster, Howard Sams Publishing Co.



15V CMOS
FIGURE 15

DIGITAL CONTROLS OR MICROCOMPUTERS

The SCM410 logic pins can interface with custom-designed digital control circuitry or microcomputers for unlimited possibilities of system control functions.

TABLE DES MATIÈRES

DESCRIPTION	15
AVANTAGES	15
PRINCIPES DE FONCTIONNEMENT	15
PANNEAU FRONTAL	15
PANNEAU ARRIÈRE	16
FONCTIONS DE L'INTERRUPTEUR À POSITIONS MULTIPLES	16
MONTAGE	17
MATÉRIEL FOURNI	17
INSTALLATION EN RACK	17
INSTALLATION SUR TABLE	18
INSTALLATION FIXE	18
CONNEXIONS SCM410	19
JUMELAGE DE PLUSIEURS MÉLANGEURS	19
UTILISATION DE BASE DU MÉLANGEUR	20
ÉCRÉTEUR	20
FONCTIONS DE L'ÉGALISEUR	20
CARACTÉRISTIQUES	21
FONCTIONS AVANCÉES	22
CARACTÉRISTIQUES DES CONNEXIONS DE LOGIQUE	22
APPLICATIONS DE LOGIQUE SUGGÉRÉES	23




Ce symbole indique la présence d'une tension dangereuse dans l'appareil constituant un risque de choc électrique.



Ce symbole indique que la documentation fournie avec l'appareil contient des instructions d'utilisation et d'entretien importantes.

AVERTISSEMENT : Les tensions à l'intérieur de cet équipement peuvent être mortelles. Aucune pièce interne réparable par l'utilisateur. Confier toute réparation à du personnel qualifié. Les certifications de sécurité sont invalidées lorsque le réglage de tension d'usine est changé.

! CONSIGNES DE SÉCURITÉ IMPORTANTES !

- | | |
|--|---|
| <ol style="list-style-type: none"> 1 LIRE ces consignes 2 CONSERVER ces consignes. 3 OBSERVER tous les avertissements. 4 SUIVRE toutes les consignes 5 NE PAS utiliser cet appareil à proximité de l'eau 6 NETTOYER UNIQUEMENT avec un chiffon sec. 7 NE PAS obstruer les ouvertures de ventilation. Installer en respectant les consignes du fabricant. 8 Ne pas installer à proximité d'une source de chaleur telle qu'un radiateur, une bouche de chaleur, un poêle ou d'autres appareils (dont les amplificateurs) produisant de la chaleur. 9 NE PAS détériorer la sécurité de la fiche polarisée ou de la fiche de terre. Une fiche polarisée comporte deux lames dont l'une est plus large que l'autre. Une fiche de terre comporte deux lames et une troisième broche de mise à la terre. La lame la plus large ou la troisième broche assure la sécurité de l'utilisateur. Si la fiche fournie ne s'adapte pas à la prise électrique, demander à un électricien de remplacer la prise hors normes. 10. PROTÉGER le cordon d'alimentation afin que personne ne marche dessus et que rien ne le pince, en particulier au niveau des fiches, des prises de courant et du point de sortie de l'appareil. 11. UTILISER UNIQUEMENT les accessoires spécifiés par le fabricant. | <ol style="list-style-type: none"> 12.  UTILISER uniquement avec un chariot, un pied, un trépied, un support ou une table spécifié par le fabricant ou vendu avec l'appareil. Si un chariot est utilisé, déplacer l'ensemble chariot-appareil avec précaution afin de ne pas le renverser, ce qui pourrait entraîner des blessures. 13. DÉBRANCHER l'appareil pendant les orages ou quand il ne sera pas utilisé pendant longtemps. 14. CONFIER toute réparation à du personnel qualifié. Des réparations sont nécessaires si l'appareil est endommagé de quelque façon que ce soit, comme par exemple : cordon ou prise d'alimentation endommagé, liquide renversé ou objet tombé à l'intérieur de l'appareil, exposition de l'appareil à la pluie ou à l'humidité, appareil qui ne marche pas normalement ou que l'on a fait tomber. 15. NE PAS exposer cet appareil aux égouttures et aux éclaboussures. NE PAS poser des objets contenant de l'eau, comme des vases, sur l'appareil. 16. La prise SECTEUR ou un adaptateur d'alimentation doit toujours rester prêt(e) à être utilisé(e). 17. Le bruit aérien de l'appareil ne dépasse pas 70 dB (A). 18. L'appareil de construction de CLASSE I doit être raccordé à une prise SECTEUR dotée d'une protection par mise à la terre. 19. Pour réduire les risques d'incendie ou de choc électrique, ne pas exposer cet appareil à la pluie ou à l'humidité. 20. Ne pas essayer de modifier ce produit. Une telle opération est susceptible d'entraîner des blessures ou la défaillance du produit. |
|--|---|

DESCRIPTION

Le modèle Shure SCM410/E est un mélangeur automatique à quatre canaux conçu pour des applications de sonorisation, d'enregistrement audio et de diffusion. Pour toute application faisant appel à de multiples microphones, le modèle SCM410 améliore sensiblement la qualité du son. Tous les microphones électrodynamiques ou électrostatiques à basse impédance (y compris ceux sans fil) peuvent être employés avec le modèle SCM410. Il est possible de relier plusieurs mélangeurs SCM410 à d'autres mélangeurs SCM410, ainsi qu'aux mélangeurs Shure de modèle FP410, SCMB10, et SCM800.

AVANTAGES

- Sélection rapide et sans bruit des microphones, avec adaptation automatique aux changements de bruits de fond
- Réglage automatique du gain lorsque des microphones supplémentaires sont activés-NOMA (nombre de microphones ouverts atténués)
- Le circuit de verrouillage du dernier microphone permet de maintenir le son ambiant
- S'insère dans l'espace d'un demi-rack
- Égaliseur réglable pour chacun des canaux

PRINCIPES DE FONCTIONNEMENT

Le concept de fonctionnement à la base du mélangeur automatique SCM410 est le circuit breveté* *IntelliMix*® de Shure. *IntelliMix* assure un mélange automatique sans pareil grâce à la combinaison de trois fonctions distinctes :

- **Seuil adaptatif de bruit.** Ce seuil permet de distinguer le bruit de fond constant (par exemple, celui d'une climatisation) et les sons changeants (par exemple, la parole) pour chacun des canaux d'entrée. Il ajuste continuellement le seuil d'activation de telle sorte que seuls les niveaux de parole supérieurs au bruit de fond puissent activer un canal.
- **MaxBus.** Cette fonction permet de contrôler le nombre de canaux qui peuvent être activés pour une source de son

unique. Un orateur n'active qu'un seul canal, même si plusieurs microphones « l'entendent ».

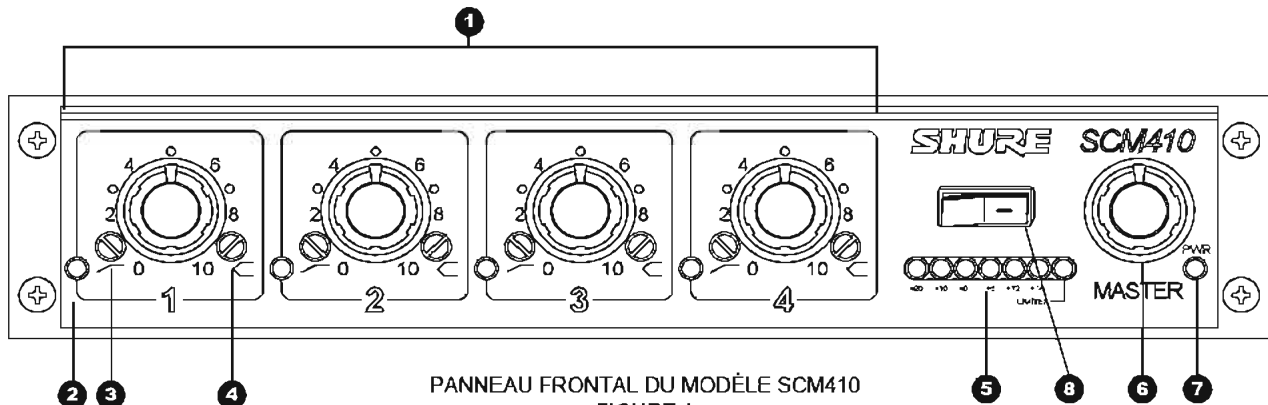
Chaque canal d'entrée est doté d'un égaliseur à deux bandes et de trois bornes de logique. L'égaliseur permet de réduire les captages audio de basse fréquence indésirables et de donner une même qualité de son à divers types de microphones, par exemple aux micros-cravates, aux périphériques et aux microphones à main. Les bornes de logique peuvent être employées pour commander des dispositifs externes.

- Entrées XLR au niveau du microphone et sortie XLR au niveau du microphone/de la ligne actives et symétriques
- Sortie phono de niveau auxiliaire asymétrique
- DELs bicolores d'activation de canal et d'écrêtage
- Écrêteur de sortie qui se déclenche en réponse aux pointes, avec témoin DEL
- Indicateur de niveau de sortie qui se déclenche en réponse aux pointes

- **Verrouillage du dernier microphone.** Cette fonction garde le microphone le plus récemment activé ouvert jusqu'à l'activation d'un autre microphone. Sans cette fonction, une longue pause au milieu d'une conversation entraînerait la désactivation de tous les microphones, ce qui produirait le son d'une perte du signal audio. Ainsi, la fonction de verrouillage du dernier microphone permet d'assurer la présence continue de l'ambiance de fond.

*Brevets U.S. 4,658,425 et 5,297,210. *IntelliMix* est une marque déposée de Shure Incorporated.

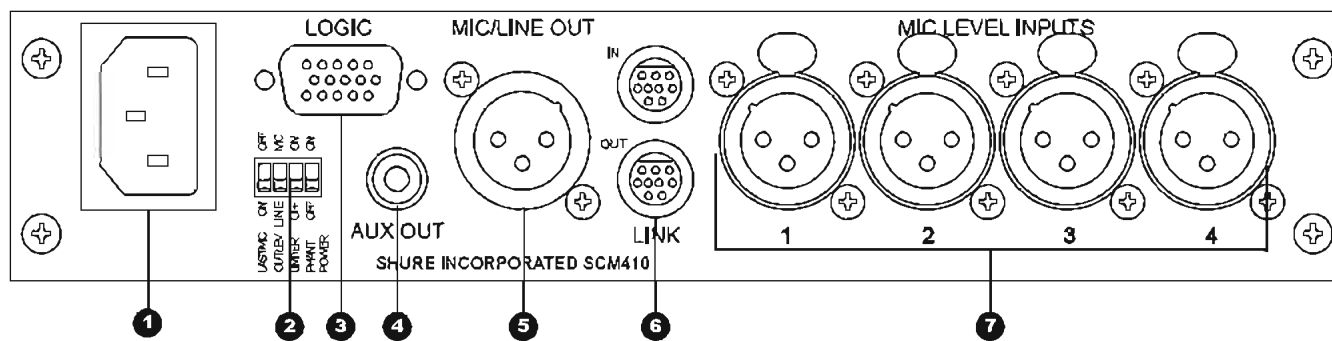
PANNEAU FRONTAL



PANNEAU FRONTAL DU MODÈLE SCM410
FIGURE 1

- 1 Commandes 1 - 4 de gain de canal de microphone : Elles permettent l'ajustement du gain du microphone.
- 2 DEL d'entrée 1 - 4 : Le témoin vert s'allume lorsque le canal est actif, et le témoin rouge s'allume lorsque l'on atteint 6dB au-dessous du niveau d'écrêtage.
- 3 Filtre passe-haut 1 - 4 : Ce filtre assure une atténuation ajustable de basse fréquence (passe-haut), et permet ainsi de réduire la présence de signaux basse fréquence indésirables.
- 4 Filtre de dégradé haute fréquence 1 - 4 : Assure une amplification de niveau ou une coupure dans la plage moyenne/haute fréquence, pour amoindrir le sifflement des microphones pour captage vocal, ou pour compenser la coloration désaxée des micros-cravates.

- 5 Indicateur de niveau de sortie : Un vumètre à DEL à six segments indique en dBu (0 dBu = 0,775 V) le niveau du signal de sortie de pointe. La DEL rouge s'allume lorsque la sortie se situe à 6 dB au-dessous de l'écrêtage. La dernière DEL indique l'action de l'écrêteur.
- 6 Commande PRINCIPALE de niveau : Elle contrôle le niveau de sortie d'ensemble.
- 7 DEL DE MISE SOUS TENSION : Le témoin vert s'allume lorsque le mélangeur est branché dans une source d'alimentation.
- 8 INTERRUPTEUR d'alimentation
Note: Selon le pays



PANNEAU ARRIÈRE DU MODÈLE SCM410

FIGURE 2

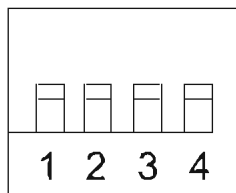
- ❶ **Connecteur d'alimentation** : L'appareil est mis sous tension lorsque le cordon d'alimentation est branché dans une source d'alimentation de 100-120 V c.a. (SCM410) ou de 220-240 V c.a. (SCM410E). **REMARQUE** : Ce mélangeur n'est doté d'aucun commutateur marche-arrêt.
- ❷ **Interrupteur à positions multiples** : L'interrupteur à quatre positions assure des fonctions supplémentaires. Voir la section intitulée « Fonctions de l'interrupteur à positions multiples ».
- ❸ **Connecteur logique du microphone** : Un connecteur mâle DB-15 à haute densité assure la connexion aux bornes de logique SORTIE OBTURATEUR, ENTRÉE DE COUPURE et ENTRÉE DE CONTOURNEMENT sur chaque canal. Voir la section intitulée « Fonctions avancées ». **REMARQUE** : IL NE S'AGIT PAS D'UN PORT DE MONITEUR VGA.
- ❹ **Connecteur phono AUX OUT (SORTIE AUXILIAIRE)** : Alimente le matériel audio de niveau consommateurs, par exem-

ple un magnétophone, un magnétoscope ou un caméscope. Cette fonction n'est pas affectée par le commutateur MIC/LINE (MICRO/LIGNE).

- ❺ **Connecteur TYPE XLR MIC/LINE OUTPUT (SORTIE MICRO/LIGNE)** : Il peut être réglé pour une sortie microphone ou niveau ligne via un interrupteur à positions multiples.
- ❻ **Connecteur LINK IN/OUT (ENTRÉE/SORTIE DE LIAISON)** : Ce connecteur permet de relier plusieurs mélangeurs SCM410/E, SCM810, SCM800 ou AMS8100, ce qui permet de créer des entrées supplémentaires.
- ❼ **Connecteurs TYPE XLR MIC LEVEL INPUT (ENTRÉE NIVEAU MICRO)** : Entrées XLR au niveau du microphone actives et symétriques. Pour la procédure de modification du niveau de ces entrées, voir la section intitulée « Modifications internes Supplément ».

FONCTIONS DE L'INTERRUPTEUR À POSITIONS MULTIPLES

Les interrupteurs à positions multiples du panneau arrière, illustrés à la Figure 3, offrent les fonctions indiquées dans le tableau ci-dessous.



INTERRUPTEURS À POSITIONS MULTIPLES

FIGURE 3

	Verrouillage du dernier microphone	Niveau de sortie XLR	Ecrêteur	Alimentation en duplex 12 V
Numéro de l'interrupteur	1	2	3	4
Interrupteur relevé	Tous les microphones sont à l'arrêt après un délai de maintien	Niveau microphone	MARCHE	MARCHE
Interrupteur plié	MARCHE*	Niveau ligne*	ARRÊT*	ARRÊT*

*Réglage d'usine

Verrouillage du dernier microphone : Cette fonction garde le microphone le plus récemment activé sous tension jusqu'à l'activation d'un autre microphone. Lorsque cette fonction est invalidée, les microphones sont éteints une fois leur délai de maintien écoulé.

Niveau de sortie XLR : Définit le niveau de la sortie XLR à ligne ou à microphone. S'assurer que le niveau de sortie correspond au niveau d'entrée de l'appareil connecté au modèle SCM410.

REMARQUE : Le niveau de sortie n'affecte pas le niveau de la sortie auxiliaire (AUX OUT).

Ecrêteur : Active l'écriteur de sortie et le définit à un seuil par défaut de +16 dBu (voir *Modifications internes Supplément* pour les autres réglages de seuil).

Alimentation en duplex 12 V : Lorsque cet interrupteur est en position MARCHE, le SCM410 fournit 12 V c.c. d'alimentation en duplex à chacune des entrées de microphone XLR. Cette fonction est particulièrement utile lors de l'emploi de microphones électrostatiques, puisque la plupart de ces microphones nécessitent une alimentation en duplex.

REMARQUE : Une alimentation en duplex n'affecte pas l'utilisation des microphones électrodynamiques symétriques. Ces microphones peuvent être connectés au SCM410 en combinaison avec des microphones électrostatiques qui utilisent une alimentation en duplex. Pour la procédure de désactivation de l'alimentation en duplex pour chaque canal, voir la section intitulée « Modifications internes Supplément ».

MONTAGE

MATÉRIEL FOURNI

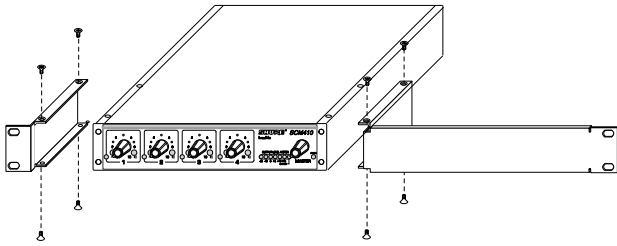
- 4 supports en caoutchouc
- 1 support de montage long
- 1 support de montage court
- 2 supports de jumelage
- 10 vis de support de 6 mm (1/4 po)
- 4 vis de montage de 2,54 cm (1 po)
- 4 rondelles en plastique
- 4 vis à bois de 1,25 cm (1/2 po)

INSTALLATION EN RACK

Le modèle SCM410 est fourni avec le matériel nécessaire à l'installation d'une ou de deux unités sur un rack de matériel audio de 19 po. Ce matériel peut également être employé pour monter en rack d'autres produits Shure, y compris les modèles SCM268, SCM262, DFR11EQ et DP11EQ.

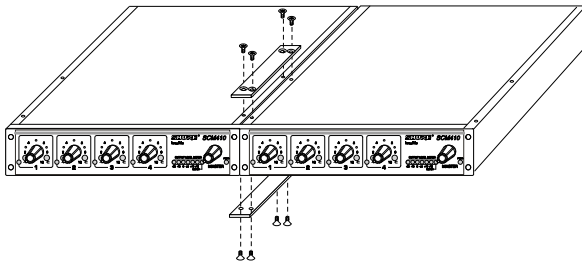
MONTAGE D'UN MÉLANGEUR UNIQUE (DEMI-RACK)

1. Fixer les supports de montage court et long au SCM410/E à l'aide de huit (8) des vis de support fournies, comme illustré à la Figure 4.



MONTAGE DES SUPPORTS D'INSTALLATION EN DEMI-RACK
FIGURE 4

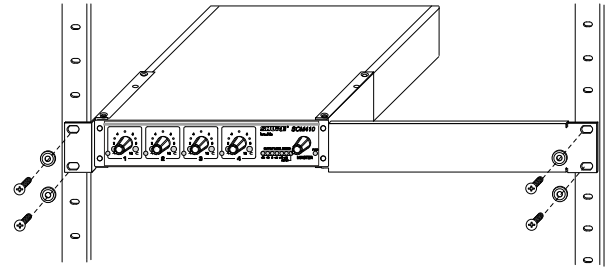
2. Placer le mélangeur dans un rack de matériel et le fixer à l'aide des vis de montage et des rondelles en plastique fournies. Voir Figure 5.



INSTALLATION EN RACK D'UN MÉLANGEUR SCM410/E
UNIQUE
FIGURE 5

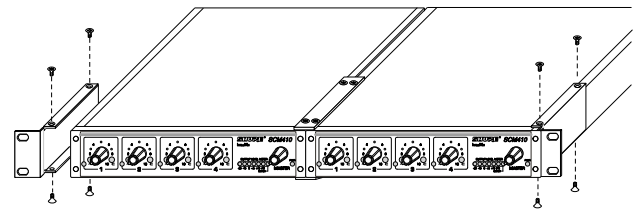
MONTAGE DE DEUX MÉLANGEURS (RACK ENTIER)

1. Placer deux mélangeurs l'un à côté de l'autre et les relier à l'aide des deux (2) supports de jumelage. Ces supports doivent enfourcher les rebords en retrait de la partie supérieure et de la partie inférieure de chacun des mélangeurs. Voir Figure 6.



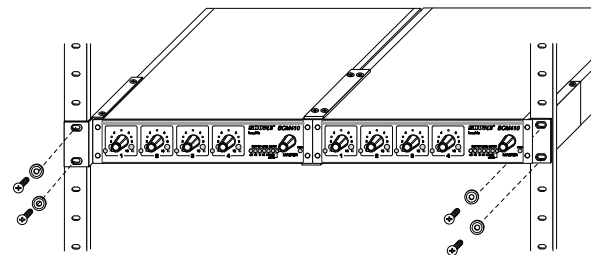
MONTAGE DES SUPPORTS DE JUMELAGE
FIGURE 6

2. Fixer les supports de jumelage à l'aide des huit (8) vis de support.
3. À l'aide de huit (8) vis de support, fixer les supports de montage courts à chacun des côtés extérieurs des mélangeurs combinés. Voir Figure 7.



MONTAGE DES SUPPORTS DE MONTAGE EN
RACK ENTIER
FIGURE 7

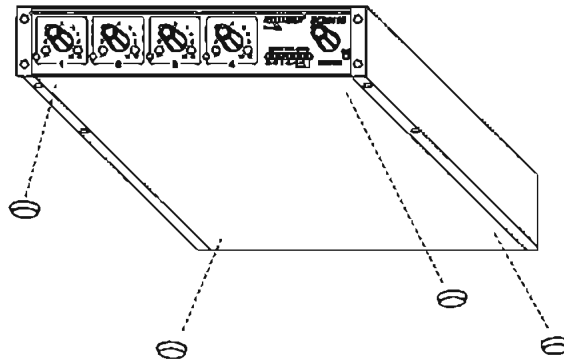
4. Placer le mélangeur dans un rack de matériel et le fixer à l'aide des vis de montage et des rondelles en plastique fournies. Voir Figure 8.



INSTALLATION EN RACK DE DEUX MÉLANGEURS SCM410/E
FIGURE 8

INSTALLATION SUR TABLE

Faire adhérer les quatre (4) supports en caoutchouc fournis à la partie inférieure de chacun des coins du mélangeur, comme illustré à la Figure 9. Ces supports empêcheront le glissement du mélangeur et protégeront la surface de la table.

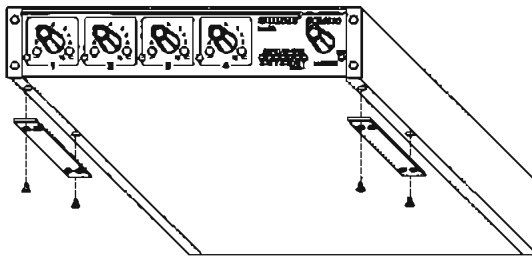


ADHÉSION DES SUPPORTS EN CAOUTCHOUC POUR
INSTALLATION SUR TABLE
FIGURE 9

INSTALLATION FIXE

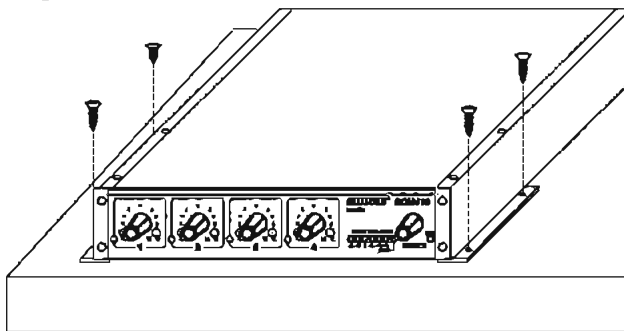
INSTALLATION SUR PARTIE SUPÉRIEURE

1. Fixer les supports de jumelage aux rebords en retrait du bâti à l'aide de quatre (4) vis de support, comme illustré à la Figure 10.



MONTAGE DES SUPPORTS DE JUMELAGE POUR
INSTALLATION SUR PARTIE SUPÉRIEURE
FIGURE 10

2. À l'aide des quatre (4) vis à bois fournies, fixer les supports de jumelage sur la partie supérieure de la surface d'installation. Voir Figure 11.

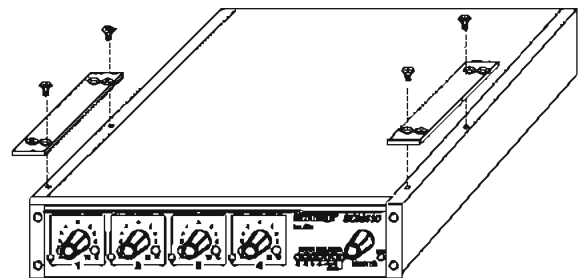


FIXATION DU MÉLANGEUR À UNE SURFACE
D'INSTALLATION SUPÉRIEURE
FIGURE 11

INSTALLATION SUSPENDUE

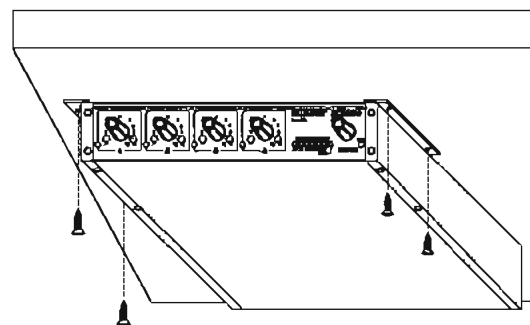
Remarque : La boulonnerie fournie est destinée à la fixation sur du bois. Les autres surfaces exigent l'utilisation d'une boulonnerie appropriée d'une capacité nominale de 15 lbs. ou plus.

1. Fixer les supports de jumelage à la partie supérieure du mélangeur, comme illustré à la Figure 12.



MONTAGE DES SUPPORTS DE JUMELAGE POUR
INSTALLATION SUSPENDUE
FIGURE 12

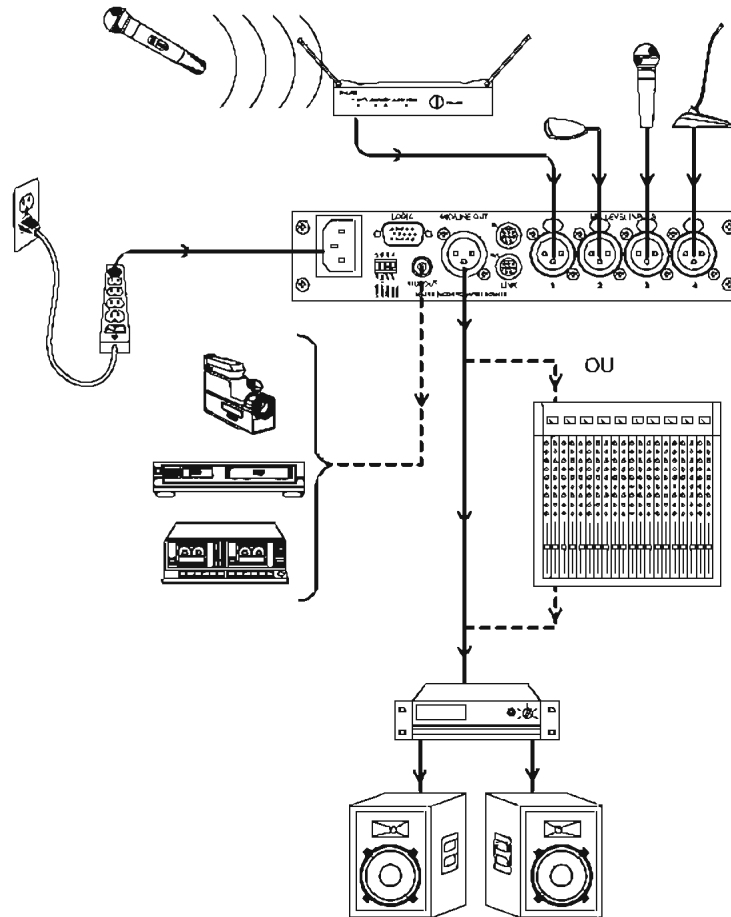
2. À l'aide des quatre (4) vis à bois fournies, fixer les supports de jumelage sur la partie inférieure de la surface d'installation. Voir Figure 13.



FIXATION DU MÉLANGEUR À UNE SURFACE
D'INSTALLATION INFÉRIEURE
FIGURE 13

CONNEXIONS SCM410

1. Connecter les délivreurs audio du microphone aux connecteurs d'entrée de canal, comme illustré à la Figure 14. Employer des câbles audio blindés conventionnels à 2 conducteurs.
2. Si des microphones électrostatiques sont connectés, mettre l'interrupteur à positions multiples de l'alimentation en duplex de +12 V sur la position MARCHÉ.
3. Connecter la sortie de niveau Micro/Ligne SCM410 à l'entrée des mélangeurs, des égaliseurs, des amplificateurs ou des magnétophones.
4. Brancher le cordon d'alimentation dans une source de 100-120 V c.a. (SCM410) ou de 220-240 V c.a. (SCM410E).



CONNEXIONS SCM410
FIGURE 14

JUMELAGE DE PLUSIEURS MÉLANGEURS

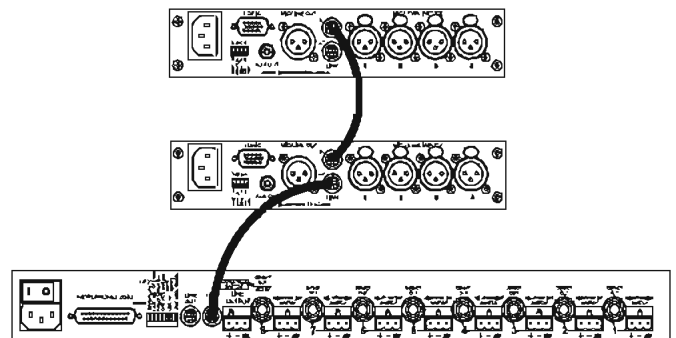
Si plus de quatre entrées sont nécessaires, il est possible de relier plusieurs modèles Shure SCM410 ou SCM810 en connectant la SORTIE DE LIAISON du premier mélangeur à l'ENTRÉE DE LIAISON du mélangeur suivant, et ainsi de suite, comme illustré à la Figure 15. Ne pas brancher le jack d'ENTRÉE DE LIAISON du premier mélangeur ni celui DE SORTIE DE LIAISON du dernier mélangeur.

Une fois correctement reliés, les mélangeurs fonctionneront en tant que système unique. Les fonctions de mélange automatique seront alors communes à toutes les unités. Tous les signaux d'entrée apparaissent à toutes les sorties des mélangeurs reliés. La commande principale de niveau de chacun des mélangeurs ne commande que la sortie de ce mélangeur. Cependant, l'atténuation hors circuit augmentera au fur et à mesure que davantage de mélangeurs seront reliés. Cette caractéristique permet de réduire les bruits excessifs et la réverbération résultant du plus grand nombre de microphones.

IMPORTANT : Lorsque des bornes de logique sont employées sur des mélangeurs reliés, relier les bornes DE MASSE LOGIQUE de chacune des unités.

REMARQUE : Les connexions de liaison SCM410 sont asymétriques. Pour réduire les ronflements et le bruit, éviter d'employer des câbles de jumelage trop longs. Employer des câbles

blindés de haute qualité et les tenir à l'écart des sources de bruits magnétiques ou électriques tels que ceux des transformateurs de puissance ou des gradateurs de lumière. Pour minimiser les courants telluriques, s'assurer que les mélangeurs reliés sont connectés aux mêmes conducteurs principaux d'alimentation c.a.



MÉLANGEURS SCM410 ET SCM810 RELIÉS
FIGURE 15

UTILISATION DE BASE DU MÉLANGEUR

1. Ajuster le niveau de chaque canal de telle sorte que sa DEL de surcharge ne scintille qu'en présence de paroles ou de bruits très forts.
2. Ajuster les commandes passe-haut et de haute fréquence qui se trouvent près de chacune des commandes de gain

d'entrée, de façon à ce que chacun des microphones ait un son similaire.

3. Ajuster la commande principale de niveau pour le niveau de sortie requis, comme l'indique le vumètre de pointe de sortie. Le modèle SCM410 est maintenant prêt à l'emploi.

ÉCRÊTEUR

Les écrêteurs de sortie préviennent la distorsion des fortes pointes de programme, sans affecter les niveaux de programme normaux. Cette caractéristique permet d'éviter la surcharge des appareils connectés à la sortie SCM410. L'augmentation des commandes individuelles ou principales du SCM410 augmente la sortie moyenne et, par conséquent, le degré d'écrêtage.

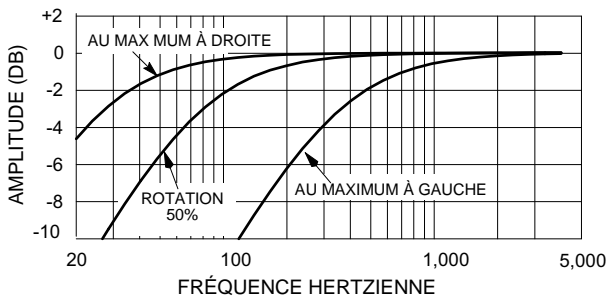
Il est possible d'allumer l'écrêteur à l'aide de l'interrupteur à positions multiples du panneau arrière. Le seuil d'écrêteur par défaut est de +16 dBu. L'écrêteur tel que fourni est désactivé.

REMARQUE : Le réglage d'usine des seuils d'écrêteur peut être modifié. Voir la section intitulée *Modifications Internes Supplément*.

FONCTIONS DE L'ÉGALISEUR

FILTRE PASSE-HAUT

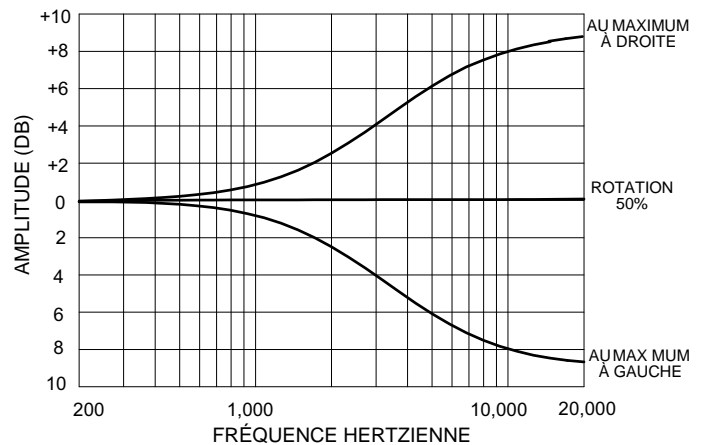
Les filtres passe-haut servent à réduire les sons basse fréquence indésirables tels que des pas et les bruits de la circulation automobile, ainsi qu'à contrôler l'effet de proximité. Le modèle SCM410 est doté d'un filtre passe-haut unipolaire de 6 dB par octave. Ce filtre permet à toutes les fréquences supérieures à son seuil de coupure de passer inchangées. Les fréquences inférieures au seuil de coupure sont atténuées (voir Figure 16). Le seuil de coupure est défini comme la fréquence à laquelle le signal est tombé de 3 dB par rapport à la région de bande passante ou plate. En dessous du seuil de coupure, l'atténuation effectuée par le filtre augmente progressivement à mesure que la fréquence diminue.



EFFETS DU FILTRE PASSE-HAUT
FIGURE 16

DÉGRADÉ HAUTE FRÉQUENCE

L'égaliseur à fréquence fixe produit un renforcement de 6 dB ou une coupure à 5 kHz et au-dessus (voir Figure 17). Le dégradé haute fréquence est extrêmement utile pour augmenter la réponse en fréquence plate, tempérer les microphones vocaux très sifflants ou améliorer la sonorité des micros-cravates désaxés.



EFFETS DE DÉGRADÉ HAUTE FRÉQUENCE
FIGURE 17

CARACTÉRISTIQUES

Conditions de mesure (sauf indication contraire) : Tension de ligne 120 V c.a., 60 Hz (SCM410) ou 230 V c.a., 50 Hz (SCM410E) ; gain total ; 1 kHz, un canal activé ; impédances de source : Micro 150 Ω ; extrémités : Ligne/micro aux 10 k Ω

Réponse en fréquence (à 1 kHz, commandes de canal centrées)

De 50 Hz à 20 kHz ± 2 dB ; coude -3 dB à 25 Hz

Gain de tension (typique, les commandes étant entièrement à droite)

Entrée	Sortie		
	Ligne	Micro	Aux.
Micro à basse impédance (150 Ω)	80 dB	40 dB	68 dB

Entrées

Entrée	Impédance		
	Conçue pour utilisation avec	Effective (typique)	Niveau d'écrêtage d'entrée
Micro	19-600 Ω	1,4 k Ω	-14 dBV

Sorties

Sortie	Impédance		
	Conçue pour utilisation avec	Effective (typique)	Niveau d'écrêtage de sortie
Ligne	$\geq 5k$ Ω	300 Ω	+22 dBV
Micro	≥ 600 Ω	3 Ω	-20 dBV
Aux.	$\geq 10k$ Ω	1,5 k Ω	+12 dBV

Distorsion harmonique totale

<0,1 % à un niveau de sortie de +4 dBu, 50 Hz à 20 kHz (par filtre 22 Hz à 22 kHz ; entrée à la position de 12 h et commande principale à la position de 12 h, toutes les autres commandes étant à la position entièrement à gauche)

Bruit d'entrée équivalents (source 150 Ω ; Pondéré en A)

-127 dBV max., -129 dBV typique

Bruit en Sortie (les commandes de canal étant entièrement à gauche, Pondéré en A) :

Commande principale entièrement à gauche : -101 dBV

Commande principale entièrement à droite : -67 dBV

Rejet en mode commun

>70 dB à 1 kHz

Polarité

Toutes les entrées à toutes les sorties sans inversion

Activation de canal d'entrée

Temps de désensibilisation : 4 ms

Délai de maintien : 0,4 s

Temps de déclin : 0,5 s

Atténuation hors-circuit

13 dB

Protection contre les surcharges et les courts-circuits

Les sorties de court-circuit, même pour des périodes prolongées, n'entraînent aucun endommagement. Les entrées microphone ne sont pas endommagées par des signaux allant jusqu'à +10 dBV (3 V)

Égalisation

Basse fréquence : 6 dB/octave coupure, coude ajustable de 25 à 320 Hz

Haute fréquence : ± 6 dB à 5 kHz, ± 8 dB à 10 kHz, dégradé

Écrêteur

Type : Pointe

Seuil : +16 dBu (à la sortie)

Temps de désensibilisation : 2 ms

Temps de retour : 300 ms

Témoin : Le témoin rouge s'allume en cas d'écrêtage

DELs d'entrée

Vertes à l'activation de canal, rouges à 6 dB en-dessous de l'écrêtage

Alimentation en duplex

Circuit ouvert 12 V c.c. par des résistances 680 Ω

Tension de service

SCM410 : nominale 100-120 V c.a., 50/60 Hz, 100 mA (max.)

SCM410E : nominale 220-240 V c.a., 50/60 Hz, 50 mA (max.)

Courant d'application principal (230 V c.a., SMC410E uniquement)

pointe de 0,7 A

Plage de températures

Fonctionnement : -7° à 49°C

Rangement : -29° à 74°C

Dimensions hors tout

44 mm H x 219 mm L x 267 mm P

Poids net

1,75 kg

Homologations

SCM410 : HOMOLOGUE UL selon UL 60065 et HOMOLOGUE cUL selon CAN/CSA-C22.2 No. 60065-3 Canada.

SCM410E : Conforme aux directives européennes applicables. Directive de basse tension 2006/95/CE: Certifié selon EN 60065. Autorisé à porter la marque CE. Directive CEM 2004/108/EC: Conforme aux normes harmonisées EN55103-1:1996 et EN55103-2:1996 pour les environnements résidentiels (E1) et d'industrie légère (E2).

Conforme avec la réglementation Européenne, modifiée (EC) No.1275/2008.

La déclaration de conformité CE peut être obtenue auprès de Shure Incorporated ou de ses représentants européens. Pour les coordonnées, visiter www.shure.com

La déclaration de conformité CE peut être obtenue auprès de :

www.shure.com/europe/compliance

Représentant agréé européen :

Shure Europe GmbH

Siège Europe, Moyen-Orient et Afrique

Homologation EMEA

Jakob-Dieffenbacher-Str. 12

75031 Eppingen, Allemagne

Téléphone : 49-7262-92 49 0

Télécopie : 49-7262-92 49 11 4

Courriel : info@shure.de

Pièces de rechange

Bouton principal (blanc) 95A8238

Bouton, gain de canal (bleu) 95B8238

Cordon d'alimentation (SCM410) 95B8389

Cordon d'alimentation (SCM410E) 95B8778

Câble de jumelage 95B8889

Fusible, SCM410

(5 x 20 mm, T 125 mA L, 250 V, temporisé) 80AA730

Fusible, SCM410E

(5 x 20 mm, T 50 mA L, 250 V, temps de réponse) . 80J380

Support long de montage en rack 53A8484

Support court de montage en rack 53E8484

Support de jumelage 53B8443

Kit de fixations sous sachet 90AW8100

Accessoires en option

Cordon d'alimentation, 230-240 V c.a. (R.-U.) 95A8713

Tampon de ligne 50 dB externe A15LA

Conformité d'entretien

Pour plus de détails sur les réparations ou les pièces, contactez le service Entretien Shure au 1-800-516-2525. À l'extérieur des États-Unis, contactez le centre de réparations Shure agréé.

FONCTIONS AVANCÉES

ATTENTION : Les fonctions avancées ne sont recommandées que pour les techniciens du son qualifiés.

CARACTÉRISTIQUES DES CONNEXIONS DE LOGIQUE

Les fonctions logiques du modèle SCM410 étendent la gamme des options de montage et de commande. La logique peut être utilisée dans de nombreux domaines, allant des simples interrupteurs pour la toux aux systèmes de visioconférence de groupe informatisés élaborés. (L'imprimé de Shure intitulé *AMS Update* traite d'applications supplémentaires de logique avancée. Cet imprimé est disponible auprès du Service des applications de Shure.) Les fonctions de logique suivantes sont disponibles pour chacun des canaux :

SORTIE OBTURATEUR : Suit le blocage de canal et passe à un niveau logique bas (absorbe le courant) lorsque le microphone est activé. Une capacité d'absorption du courant de 500 mA est assurée (voir Figure 18A).

ENTRÉE COUPURE : L'application d'un niveau logique bas (provenant de la SORTIE OBTURATEUR ou d'une fermeture d'interrupteur à une masse de logique) bloque le canal (voir Figure 18B). La sortie du canal tombe à $-\infty$.

ENTRÉE CONTOURNEMENT : L'application d'un niveau logique bas (provenant de la SORTIE OBTURATEUR ou d'une fermeture d'interrupteur à une masse de logique) force l'activation du canal (voir Figure 18B). Lorsque Coupure et Contournement sont toutes deux activées, c'est la Coupure qui a la priorité (voir la section intitulée *Modifications internes Supplément* pour la priorité de contournement).

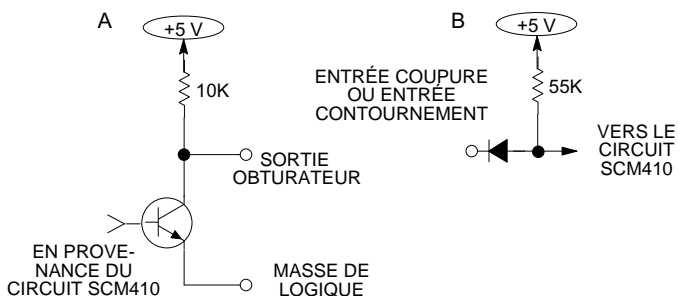
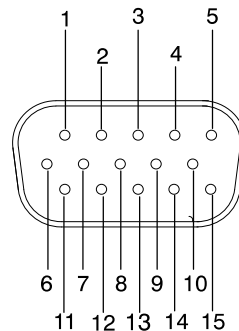


SCHÉMA DE PRINCIPE D'ÉQUIVALENT LOGIQUE
FIGURE 18

MASSE DE LOGIQUE : La masse de logique est distincte de la masse audio. Effectuer tous les raccordements de masse de logique à cette broche, y compris la masse d'alimentation des circuits logiques externes. Pour éviter les bruits de commutation, *ne pas* connecter la masse de logique à la masse audio, de bâti ou de rack.

Il est possible d'accéder aux commandes de logique par le connecteur à broches multiples DB-15 à haute densité situé sur le panneau arrière (Figure 19). Les connexions de broches sont indiquées au tableau suivant.



CONNECTEUR LOGIQUE
FIGURE 19

CONNEXIONS LOGIQUES

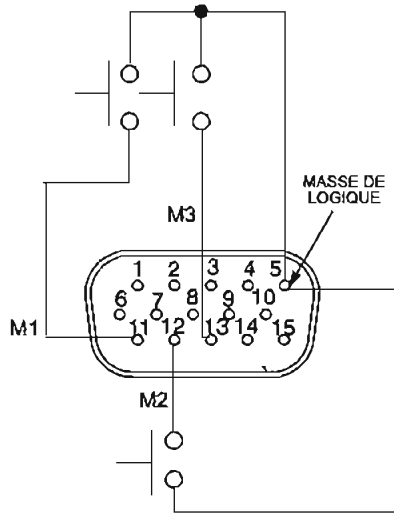
N de broche	Fonction logique	Fonction logique	N de broche
1	ENTRÉE CONTOURNEMENT 1	SORTIE OBTURATEUR 1	6
2	ENTRÉE CONTOURNEMENT 2	SORTIE OBTURATEUR 2	7
3	ENTRÉE CONTOURNEMENT 3	SORTIE OBTURATEUR 3	8
4	SORTIE OBTURATEUR 4	SORTIE OBTURATEUR 4	4
5	MASSE DE LOGIQUE	ENTRÉE CONTOURNEMENT 1	1
6	SORTIE OBTURATEUR 1	ENTRÉE CONTOURNEMENT 2	2
7	SORTIE OBTURATEUR 2	ENTRÉE CONTOURNEMENT 3	3
8	SORTIE OBTURATEUR 3	ENTRÉE CONTOURNEMENT 4	14
9	AUCUNE CONNEXION	ENTRÉE COUPURE 1	11
10	ENTRÉE COUPURE 4	ENTRÉE COUPURE 2	12
11	ENTRÉE COUPURE 1	ENTRÉE COUPURE 3	13
12	ENTRÉE COUPURE 2	ENTRÉE COUPURE 4	10
13	ENTRÉE COUPURE 3	MASSE DE LOGIQUE	5
14	ENTRÉE CONTOURNEMENT 4	AUCUNE CONNEXION	15
15	AUCUNE CONNEXION	AUCUNE CONNEXION	9

APPLICATIONS DE LOGIQUE SUGGÉRÉES

La présente section offre des suggestions sur les utilisations possibles des fonctions logiques du SCM410. L'on remarquera que les utilisations de ces fonctions ne se limitent pas aux applications mentionnées. L'utilisateur n'est limité que par son imagination et sa faculté créatrice. Pour des suggestions supplémentaires et des solutions aux problèmes de montage, contacter le Service des applications de Shure.

BOUTON POUR LA TOUX

L'orateur peut éteindre son microphone s'il tousse ou lors d'une conversation privée. Il suffit pour cela de monter un interrupteur à bouton-poussoir unipolaire unidirectionnel entre les broches ENTRÉE COUPURE et masse de logique pour chacun des canaux devant être modifié (voir Figure 20). Lorsqu'un canal est coupé, aucun son audio ne passe. (Pour de plus amples renseignements sur la logique ENTRÉE COUPURE, voir le paragraphe intitulé *Zone morte sur invalidation ENTRÉE COUPURE* à la section *Modifications internes Supplément*.)

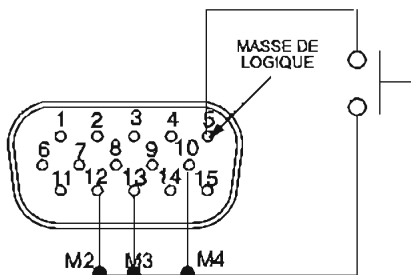


BOUTONS POUR LA TOUX
FIGURE 20

COUPURE DE SON COMMANDÉE PAR LE PRÉSIDENT

Par l'activation d'un interrupteur, le président peut imposer le silence à tous les autres microphones afin de se faire entendre sans interruption. Pour utilisation dans un tel mode, connecter les unes avec les autres toutes les broches ENTRÉE COUPURE à l'exception de celle du canal du président, puis câbler un interrupteur à bouton-poussoir unipolaire unidirectionnel ou un interrupteur à bascule entre ces broches ENTRÉE COUPURE et Masse de logique (voir Figure 21).

Au lieu d'un interrupteur, il est également possible de connecter la broche SORTIE OBTURATEUR à celle ENTRÉE COUPURE des autres canaux. Ainsi, lorsque le microphone du président est activé, tous les autres microphones sont coupés.

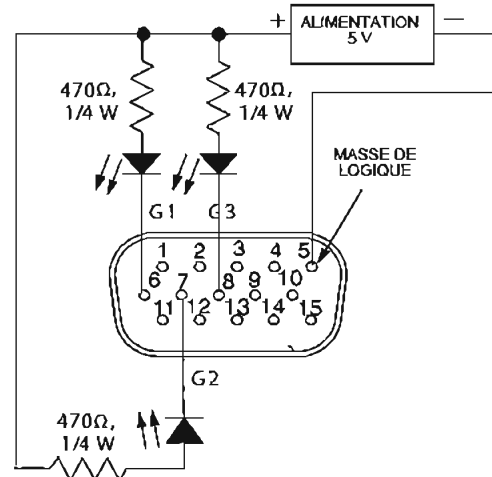


COUPURE DE SON COMMANDÉE PAR LE PRÉSIDENT
FIGURE 21

TÉMOINS À DISTANCE D'ACTIVATION DE CANAL

Les témoins à distance peuvent être utilisés pour indiquer lorsque le microphone d'un orateur donné est activé. Connecter les DELs et une alimentation de 5 volts aux broches SORTIE OBTURATEUR (voir Figure 22). Pour éviter les bruits de commutation dans la sortie audio, ne pas mettre à la masse la borne négative de l'alimentation dans la masse du système audio ou du rack.

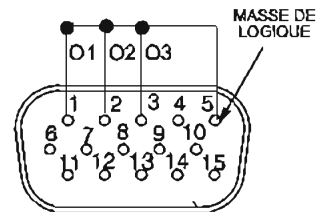
IMPORTANT : Si un câble unique est employé pour le signal audio du microphone et l'alimentation c.c. de la DEL, des paires blindées distinctes doivent être employées. Si l'alimentation c.c. ne passe pas par une paire blindée, il peut en résulter des bruits en raison du couplage capacitif entre les lignes d'alimentation c.c. et celles du microphone.



TÉMOINS À DISTANCE D'ACTIVATION DE CANAL
FIGURE 22

DÉSACTIVATION DE LA FONCTION DE BLOCAGE (CONTOURNEMENT)

Pour conserver des microphones donnés continuellement activés, câbler ensemble les broches ENTRÉE CONTOURNEMENT du canal du microphone en question avec la broche de masse de logique. Les canaux sélectionnés fonctionneront alors comme ils le feraient dans un mélangeur non automatique (voir Figure 23). Pour effectuer cette modification intérieurement sur le mélangeur, voir le paragraphe intitulé *Mise en court-circuit de l'entrée contournement à la masse de logique intérieurement*, à la section *Modifications internes Supplément*.



CONTOURNEMENT DE BLOCAGE
FIGURE 23

INVALIDATION DU BLOCAGE POUR LES SONS INDÉSIRABLES

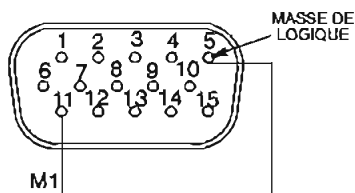
MaxBus tente d'activer un seul microphone par source sonore. La coupure d'un canal de microphone empêche son audio d'apparaître à la sortie du mélangeur. Cependant, le microphone dont le son est coupé communique toujours avec les autres canaux de microphones via le MaxBus. Une source sonore captée par un microphone coupé n'activera pas d'autres microphones.

Parmi les sources sonores capables d'entraîner une activation de canal de microphone indésirée, l'on compte :

- Les systèmes de chauffage, de ventilation ou de climatisation
- Un télécopieur ou une imprimante bruyants
- Une porte qui grince
- Le haut-parleur d'un système de téléavertissement
- Le haut-parleur d'un signal de retour d'une audioconférence

Le modèle SCM410 peut empêcher de tels sons d'activer les microphones comme suit :

1. Placer l'un des microphones à proximité de la source sonore indésirable. Connecter le signal du microphone à une entrée de canal, -ou bien- connecter la source sonore indésirable directement à une entrée de canal.
2. Couper le son de ce canal à l'aide de la borne de logique (voir Figure 24). Pour effectuer cette modification intérieurement sur le mélangeur, voir le paragraphe intitulé Mise en court-circuit de l'entrée coupure à la masse de logique intérieurement, à la section *Modifications internes Supplément*.
3. Ajuster le contrôle de gain de canal juste au-delà du niveau auquel les sons indésirables n'activent pas les autres microphones du système. Si le gain de canal est défini trop haut, il est possible que les autres microphones ne soient pas activés par les sons désirés. S'il est défini trop bas, les sons indésirables continueront à activer les autres microphones.



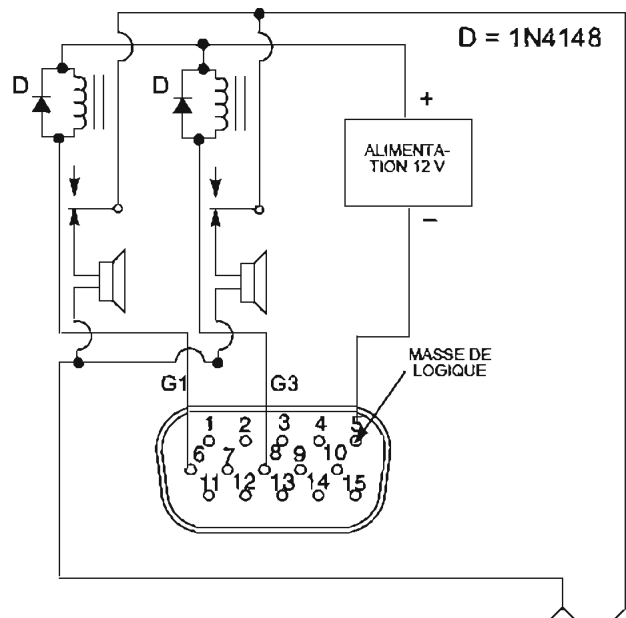
INVALIDATION DU BLOCAGE POUR LES SONS INDÉSIRABLES
FIGURE 24

COUPURE DE HAUT-PARLEUR

Pour certaines applications, il est nécessaire de placer un haut-parleur à proximité de chacun des orateurs en vue d'assurer une sonorisation, ou encore dans le but de permettre une conversation téléphonique ou un contrôle de conférence. Chacun des hauts-parleurs peut entraîner un effet Larsen, à moins qu'il ne soit automatiquement mis hors fonction lorsque l'orateur qui se trouve à proximité prend la parole. Pour assurer une telle fonction, connecter la borne SORTIE OBTURATEUR de chacun des canaux à un relais de coupure de haut-parleur discret (voir Figure 25). Les relais recommandés sont les suivants : Radio Shack 275-248, Omron G2R-14-DC12 (Digi-Key numéro Z745-ND), Potter & Brumfield R10-E1Y2-V185 (Numéro Newark 45F106), ou équivalents.

REMARQUE : Une diode est requise sur chaque bobine de relais pour supprimer les pointes de tension à induction, car elles risqueraient d'endommager le modèle SCM410.

Un système de sonorisation utilisant des relais de 24 volts peut être employé avec le modèle SCM410 sans modification, si l'appel de courant de la bobine de relais est inférieur à 500 mA.



COUPURE DE HAUT-PARLEUR
FIGURE 25

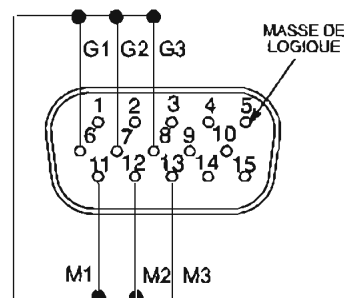
MODE OBSTRUCTION

Normalement, lorsque plusieurs personnes parlent, chacun des microphones est activé de telle sorte qu'aucune partie de la conversation ne soit perdue. En mode d'obstruction, un microphone donné reste activé jusqu'à ce que l'orateur fasse une pause suffisamment longue pour que le microphone soit désactivé. Aucun autre microphone ne peut être activé tant que ce microphone n'est pas désactivé. Cette fonction permet de ne pas interrompre les orateurs.

Pour passer en mode d'obstruction, voir Figure 26 et procéder comme suit :

1. Exécuter la modification Coupure à invalidation, telle qu'indiqué à la section intitulée Modifications internes Supplément.
2. Connecter ensemble toutes les broches ENTRÉE COUPURE sur le canal modifié.
3. Connecter ensemble toutes les broches SORTIE OBTURATEUR sur les canaux modifiés.
4. Connecter la broche SORTIE OBTURATEUR de l'un des canaux modifiés à la broche ENTRÉE COUPURE d'un autre canal modifié.
5. Mettre HORS FONCTION l'interrupteur de verrouillage du dernier microphone.

REMARQUE : Pour prévenir toute oscillation à haute fréquence, ne pas câbler une broche SORTIE OBTURATEUR à une broche ENTRÉE COUPURE sur le même canal, à moins que la modification Coupure à invalidation n'ait déjà été effectuée



MODE OBSTRUCTION
FIGURE 26

FONCTION D'INVALIDATION

Pour de plus amples renseignements sur la fonction d'invalidation, voir la section intitulée *Modifications internes* Supplément.

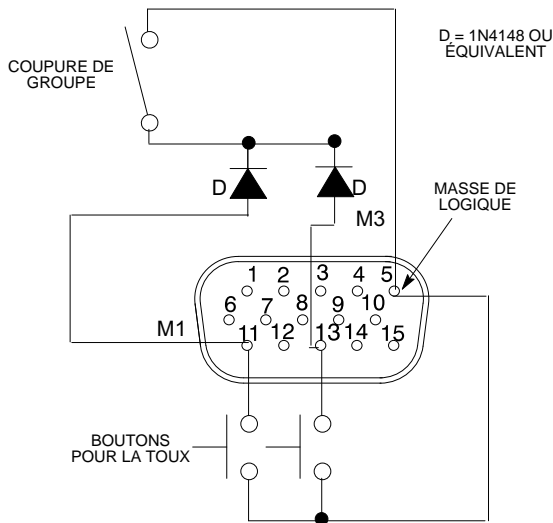
COMMANDE DE VOLUME À DISTANCE

Il est possible de contrôler le niveau de la sortie Aux. ou Principale depuis un amplificateur à commande en tension externe tel que le RU-VCA1, de Radio Design Labs (Tél. 1-800-281-2683, ou www.rdlnet.com). Pour connecter un amplificateur à commande en tension au modèle SCM410, procéder comme suit :

1. Connecter la sortie de ligne SCM410 à l'entrée de ligne de l'amplificateur.
2. Connecter la sortie de ligne de l'amplificateur à l'appareil externe.
3. Pour la commande de niveau principale à distance, régler la commande principale du SCM410 à 5.

ISOLATION DE DIODE DE COMMANDES LOGIQUES

Il est possible d'isoler avec des diodes au moins deux fonctions de commande utilisant les mêmes broches de logique, comme l'illustre la Figure 27. Avec une telle modification, il est possible de couper un canal avec un bouton de coupure de groupe d'ensemble, ou à l'aide du bouton pour la toux de ce canal.

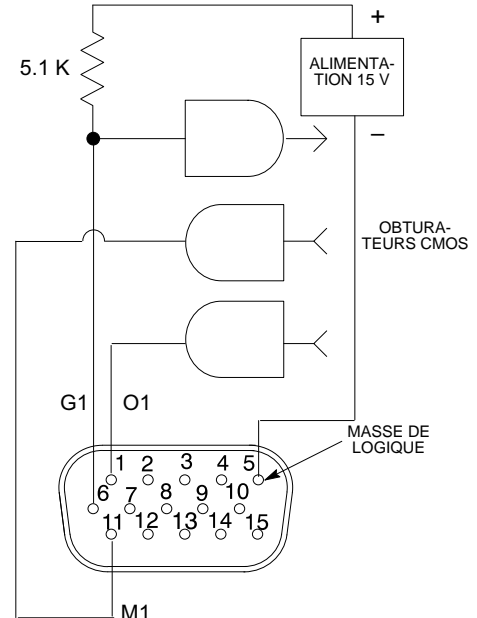


ISOLATION DE DIODE DE BORNES LOGIQUES
FIGURE 27

APPAREILS LOGIQUES EXTERNES

Les niveaux de logique du modèle SCM410 sont directement compatibles avec les familles de logique TTL et CMOS 5 V. Il est possible d'utiliser la logique du mélangeur avec celle du CMOS 15 V, si l'on emploie avec chaque sortie d'OBTURATEUR une résistance de polarisation à l'alimentation. Voir Figure 28.

REMARQUE : Pour de plus amples renseignements sur l'emploi d'obturateur logique, se reporter à *TTL Cookbook* et à *CMOS Cookbook*, de D. Lancaster, Howard Sams Publishing Co.



CMOS 15 V
FIGURE 28

COMMANDES NUMÉRIQUES OU MICROORDINATEURS

Les broches de logique du SCM410 peuvent être connectées à un circuit à commande numérique personnalisé ou à des microordinateurs, ce qui fournit d'innombrables possibilités de fonctions de commande de système.

INHALTSVERZEICHNIS

BESCHREIBUNG	27
TECHNISCHE EIGENSCHAFTEN	27
FUNKTIONSPRINZIP	27
FRONTPLATTE	27
RÜCKSEITE	28
DIP-SCHALTER-FUNKTIONEN	28
MONTAGE	29
MITGELIEFERT BEFESTIGUNGSTEILE	29
RACK-MONTAGE	29
TISCHPLATTEN-MONTAGE	30
FESTER EINBAU	30
SCM410-ANSCHLÜSSE	31
ZUSAMMENSCHALTUNG MEHRERER MISCHER	31
GRUNDREGELN FÜR DEN MISCHERBETRIEB	32
BEGRENZER	32
EQUALIZER-FUNKTIONEN	32
TECHNISCHE DATEN	33
ERWEITERTE FUNKTIONEN	34
TECHNISCHE DATEN FÜR DIE LOGIKANSCHLÜSSE	34
VORSCHLÄGE FÜR LOGIKANWENDUNGEN	35




Dieses Symbol zeigt an, dass gefährliche Spannungswerte, die ein Stromschlagrisiko darstellen, innerhalb dieses Geräts auftreten.



Dieses Symbol zeigt an, dass das diesem Gerät beiliegende Handbuch wichtige Betriebs- und Wartungsanweisungen enthält.

ACHTUNG: Die in diesem Gerät auftretenden Spannungen sind lebensgefährlich. Das Gerät enthält keine Teile, die vom Benutzer gewartet werden können. Alle Reparatur- und Wartungsarbeiten von qualifiziertem Kundendienstpersonal durchführen lassen. Die Sicherheitszulassungen gelten nicht mehr, wenn die Werkseinstellung der Betriebsspannung geändert wird.

! WICHTIGE SICHERHEITSHINWEISE !

1. Diese Hinweise **LESEN**.
2. Diese Hinweise **AUFHEBEN**.
3. Alle Warnhinweise **BEACHTEN**.
4. Alle Anweisungen **BEFOLGEN**.
5. Dieses Gerät **NICHT** in der Nähe von Wasser verwenden.
6. **NUR** mit einem sauberen Tuch **REINIGEN**.
7. **KEINE** Lüftungsöffnungen verdecken. Gemäß den Anweisungen des Herstellers einbauen.
8. Nicht in der Nähe von Wärmequellen, wie Heizkörpern, Raumheizungen, Herden oder anderen Geräten (einschließlich Verstärkern) installieren, die Wärme erzeugen.
9. Die Schutzfunktion des Schukosteckers **NICHT** umgehen. Bei Steckern für die USA gibt es polarisierte Stecker, bei denen ein Leiter breiter als der andere ist; US-Stecker mit Erdung verfügen über einen dritten Schutzleiter. Bei diesen Steckerausführungen dient der breitere Leiter bzw. der Schutzleiter Ihrer Sicherheit. Wenn der mitgelieferte Stecker nicht in die Steckdose passt, einen Elektriker mit dem Austauschen der veralteten Steckdose beauftragen.
10. **VERHINDERN**, dass das Netzkabel gequetscht oder darauf getreten wird, insbesondere im Bereich der Stecker, Netzsteckdosen und an der Austrittsstelle vom Gerät.
11. **NUR** das vom Hersteller angegebene Zubehör und entsprechende Zusatzgeräte verwenden.
12.  **NUR** in Verbindung mit einem vom Hersteller angegebenen oder mit dem Gerät verkauften Transportwagen, Stand, Stativ, Träger oder Tisch verwenden. Wenn ein Transportwagen verwendet wird, beim Verschieben der Transportwagen-Geräte Einheit vorsichtig vorgehen, um Verletzungen durch Umkippen zu verhüten.
13. Das Netzkabel dieses Geräts während Gewittern oder bei längeren Stillstandszeiten aus der Steckdose **ABZIEHEN**.
14. Alle Reparatur- und Wartungsarbeiten von qualifiziertem Kundendienstpersonal **DURCHFÜHREN LASSEN**. Kundendienst ist erforderlich, wenn das Gerät auf irgendwelche Weise beschädigt wurde, z.B. wenn das Netzkabel oder der Netzstecker beschädigt wurden, wenn Flüssigkeiten in das Gerät verschüttet wurden oder Fremdkörper hineinfelen, wenn das Gerät Regen oder Feuchtigkeit ausgesetzt war, nicht normal funktioniert oder fallen gelassen wurde.
15. Dieses Gerät vor Tropf- und Spritzwasser **SCHÜTZEN**. **KEINE** mit Wasser gefüllten Gegenstände wie zum Beispiel Vasen auf das Gerät **STELLEN**.
16. Der Netzstecker oder ein Kaltgerätestecker müssen leicht steckbar bleiben.
17. Der Luftschall des Geräts überschreitet 70 dB (A) nicht.
18. Das Gerät mit Bauweise der **KLASSE I** muss mit einem Schukostecker mit Schutzleiter in eine Netzsteckdose mit Schutzleiter eingesteckt werden.
19. Dieses Gerät darf nicht Regen oder Feuchtigkeit ausgesetzt werden, um das Risiko von Bränden oder Stromschlägen zu verringern.
20. Nicht versuchen, dieses Produkt zu modifizieren. Ansonsten könnte es zu Verletzungen und/oder zum Produktausfall kommen.

BESCHREIBUNG

Das Shure Modell SCM410/E ist ein automatischer Vierkanal-Mikrofonmischer, der für den Einsatz bei Beschallung, Tonaufzeichnung und Rundfunk/TV entwickelt wurde. Das SCM410 verbessert die Tonqualität wesentlich für Anwendungen, bei denen mehrere Mikrofone für die Sprachaufnahme erforderlich sind. Jedes niederohmige dynamische Mikrofon oder Kondensatormikrofon (einschließlich drahtlose Mikrofone) kann mit dem SCM410 verwendet werden. Mehrere SCM410 Mischer können mit anderen SCM410 Mixern sowie mit den Shure Mischer-Modellen FP410, SCM810, und SCM800 zusammengeschaltet werden.

Jedem Eingangskanal sind ein Zweiband-Equalizer und drei Logik-Terminals zugeordnet. Der Equalizer reduziert tieffrequenten Störschall. Außerdem lassen sich die verschiedenen Mikrofone (Lavalier-, Grenzflächen- und handgehaltene Mikrofone) im Klang anpassen. Die Logik-Terminals können zur Steuerung externer Geräte verwendet werden.

Das SCM410 wird mit 100-120 V Wechselspannung betrieben, das SCM410E wird mit 220-240 V Wechselspannung betrieben. Zum Lieferumfang jedes Mixers gehört ein Netzkabel, Befestigungsteile für die Rack-Montage und ein Verbindungskabel.

TECHNISCHE EIGENSCHAFTEN

- Schnelle, geräuschlose Mikrofonwahl, die sich automatisch an Veränderungen von Hintergrundgeräuschen anpaßt.
- Automatische Anpassung der Summenverstärkung beim Aktivieren weiterer Mikrofone (NOMA: Number of Open Microphones Attenuator)
- „Last Mic Lock—On“-Schaltung erhält den Umgebungsschall
- Paßt in halben Rack-Platz
- Einstellbare Entzerrung für jeden Kanal
- Aktive symmetrische XLR-Mikrofoneingänge und aktiver symmetrischer XLR-Mikrofon/Leistungspegel-Ausgang
- Unsymmetrischer Linepegelausgang Zusatz Brummen pegel-Phono-Ausgang
- Zweifarbige LED-Anzeigen für Kanalaktivierung und Clipping
- Spitzenpegel-Begrenzer mit LED-Anzeige
- Spitzenpegel-Ausgangspegelanzeige

FUNKTIONSPRINZIP

Das Funktionsprinzip, auf dem der automatische Mischer SCM410 beruht, ist Shures patentierter *IntelliMix*® Schaltkreis *IntelliMix*. Es bietet nahtlose automatische Mischung durch Kombination dreier unterschiedlicher Funktionen:

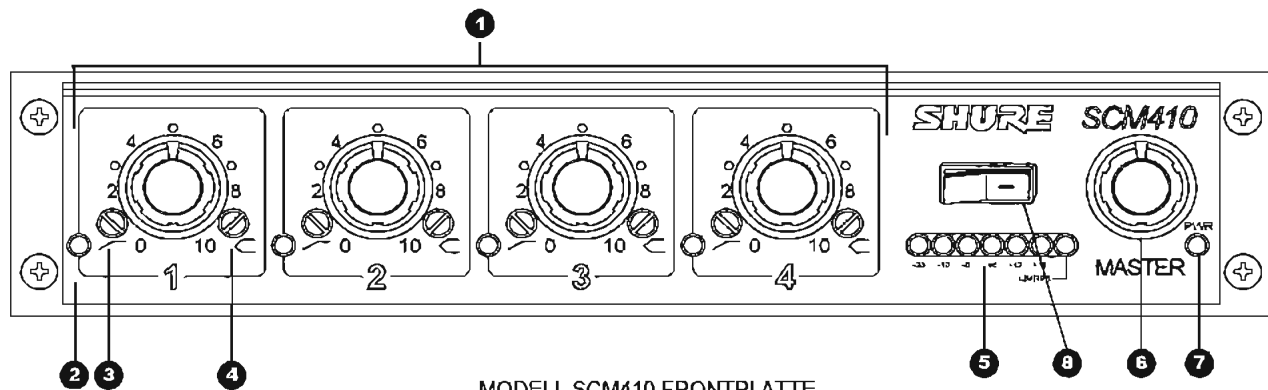
- **Automatische Schwellwert-Steuerung** Unterscheidet für jeden Eingangskanal zwischen Hintergrundgeräuschen (z.B. von Klimaanlage) und veränderlichen Geräuschen (z.B. Sprache). Der Aktivierungspegel wird kontinuierlich angepaßt, so daß nur Sprachpegel, die lauter sind als Hintergrundgeräusche, einen Kanal aktivieren.
- **MaxBus**. Regelt die Anzahl der Kanäle, die für eine einzelne Schallquelle aktiviert werden können. Pro Sprecher wird nur

ein Kanal aktiviert, auch wenn mehrere Mikrofone diesen Sprecher „hören“.

- **Last Mic Lock-On**. Hält das jeweils zuletzt aktivierte Mikrofon solange geöffnet, bis ein neu aktiviertes Mikrofon seine Funktion übernimmt. Ohne Last Mic Lock-On würden bei längeren Sprechpausen alle Mikrofone abgeschaltet werden, und es würde der Eindruck entstehen, als ob das Signal verloren gegangen wäre. Last Mic Lock-On stellt sicher, daß die Hintergrundatmo stets erhalten bleibt.

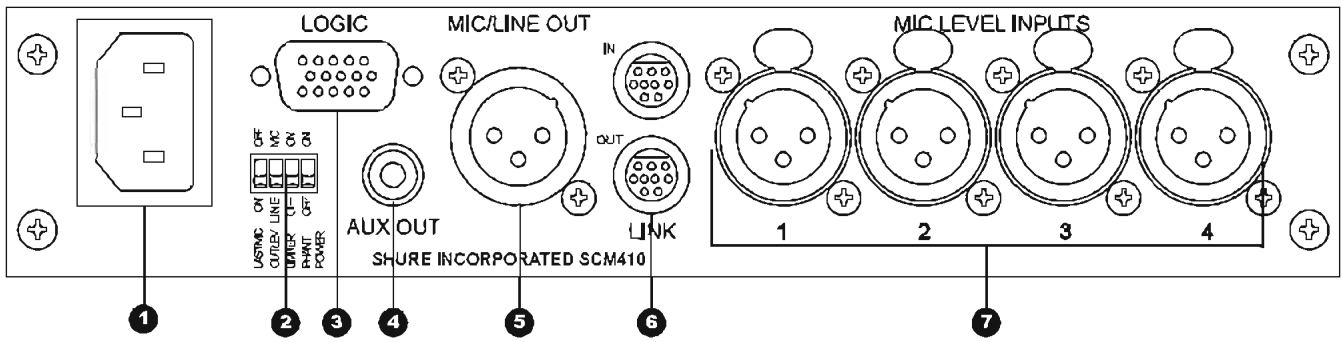
*U.S.-Patente 4,658,425 und 5,297,210 *IntelliMix* ist ein eingetragenes Warenzeichen von Shure Incorporated.

FRONTPLATTE



MODELL SCM410 FRONTPLATTE
ABBILDUNG 1

- ➊ **Verstärkungsregler für Mikrofonkanäle 1 - 4:** Ermöglicht die Einstellung der Mikrofonverstärkung.
- ➋ **ED für Eingänge 1 - 4:** Leuchtet grün bei aktivem Kanal und rot bei 6 dB unter Clipping-Pegel.
- ➌ **LowCut-Filter 1 - 4:** Bietet justierbare Tiefenabsenkung (Hochpaß) zur Reduzierung unerwünschter tieffrequenter Störgeräusch-Komponenten.
- ➍ **Hochfrequenz-Filter mit Kuhschwanz-Charakteristik 1 - 4:** Ermöglichen eine Anhebung oder Absenkung im Bereich der mittleren und hohen Frequenzen zur Vermeidung von störenden „S“- oder Zischlauten bei Sprachaufnahme-mikrofonen oder zur Kompensation der Aufnahmecharakteristik von außeraxialen Lavalier-Mikrofonen.
- ➎ **Ausgangspegelmessgerät:** Das Sechsstufige LED-Balkendiagramm zeigt den Ausgangsspitzenpegel in dBu (0 dBu = 0,775 V) an. Die rote LED leuchtet auf, wenn der Ausgangspegel 6 dB unterhalb der Übersteuerungsgrenze liegt. Die letzte LED zeigt den Begrenzereinsatz an.
- ➏ **MASTER-Pegelregler.** Steuert den Ausgangspegel des Summensignals.
- ➐ **BETRIEB-LED:** Leuchtet grün auf, wenn der Mischer an die Stromversorgung angeschlossen ist.
- ➑ **An/Aus-Schalter**
Hinweis: Länderspezifisch

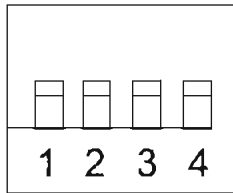


MODELL SCM410 RÜCKSEITE
ABBILDUNG 2

- 1 **Netzanschluß:** Das Gerät wird mit Strom versorgt, wenn das Netzkabel an eine 100-120 V Wechselstrom- (SCM410) oder 220-240 V Wechselstrom- (SCM410E) Stromquelle angeschlossen ist. **HINWEIS:** Dieser Mischer hat keinen Ein/Aus-Netzschalter.
- 2 **DIP-Schalter:** Der 4-Stellungs-DIP-Schalter stellt zusätzliche Funktionen bereit. Siehe Abschnitt „DIP-Schalterfunktionen“.
- 3 **Microphonlogik-Anschluß:** Der DB-15-Stecker bietet Zugang zu den Logik-Terminals GATE OUT, MUTE IN und OVERRIDE IN für jeden Kanal. Siehe Abschnitt „Erweiterte Funktionen“. **HINWEIS:** DIES IST KEIN VGA-MONITOR-ANSCHLUSS.
- 4 **AUX OUT Cinch-Anschluß:** Dient als Ausgang zu Unterhaltungs-Audiogeräten, wie Bandaufnahmegeräte, Videorecorder oder Videokameras. Wird nicht vom MIC/LINE-Schalter beeinflusst.
- 5 **MIC/LINE XLR OUTPUT-Steckverbinder:** Kann über einen DIP-Schalter auf Mikrofon- oder Linepegelausgang eingestellt werden.
- 6 **LINK IN/OUT-Anschluß:** Ermöglicht die Zusammenschaltung mehrerer Mischer SCM410/E, SCM810, SCM800 oder AMS8100 für weitere Eingangssignale.
- 7 **M7IC LEVEL XLR INPUT-Anschlüsse:** Aktive symmetrische XLR-Mikrofonpegelgänge. Für Anweisungen über die Änderung der Pegel dieser Eingänge siehe Anhang „Interne Modifikationen.“

DIP-SCHALTER-FUNKTIONEN

Die folgende Tabelle zeigt die Funktionen der in Abbildung 3 dargestellten DIP-Schalter an der Rückseite



DIP-SCHALTER
ABBILDUNG 3

DIP-SCHALTER-FUNKTIONEN

	Last Mic Lock-On	XLR-Ausgangspegel	Begrenzer	12 V Phantomspeisung
Schalternr.	1	2	3	4
Schalter oben	alle Mikros aus nach Haltezeit	Mikrofonpegel	EIN	EIN
Schalter unten	EIN*	Leitungspegel*	AUS*	AUS*

*Werkseinstellung

Last Mic Lock-On: Hält das jeweils zuletzt aktivierte Mikrofon solange geöffnet, bis ein neu aktiviertes Mikrofon seine Funktion übernimmt. Wird diese Schaltung deaktiviert, schalten die Mikrofone nach der voreingestellten Haltezeit ab.

XLR-Ausgangspegel: Stellt den XLR-Ausgang auf den Leitungs- oder Mikrofonpegel ein. Sicherstellen, daß der Ausgangspegel dem Eingangspegel des am SCM410 angeschlossenen Gerätes entspricht.

HINWEIS: Der Ausgangspegel hat keinen Einfluß auf den Zusatzausgangspegel (AUX OUT).

Begrenzer: Aktiviert den Ausgang-Begrenzer und stellt ihn auf den Werkseinstellungs-Schwellwert +16 dBu ein (andere Schwellwert-Einstellungen sind im Anhang *Interne „Modifikationen“* zu finden).

12 V Phantomspeisung: Wenn dieser Schalter auf EIN gestellt ist, liefert das SCM410 12 V Phantomspannung an die einzelnen XLR-Mikrofoneingänge. Diese Funktion ist besonders praktisch für Kondensatormikrofone, da die meisten Kondensatormikrofone Phantomspannung erfordern.

HINWEIS:Die Phantomspeisung hat keinen Einfluß auf den Betrieb von symmetrischen dynamischen Mikrofonen. Diese können in Kombination mit Kondensatormikrofonen, die Phantomspannung verwenden, an das SCM410 angeschlossen werden. Anweisungen zur Deaktivierung der Phantomspeisung für einzelne Kanäle sind im Anhang „Interne Modifikationen“ zu finden.

MONTAGE

MITGELIEFERTE BEFESTIGUNGSTEILE

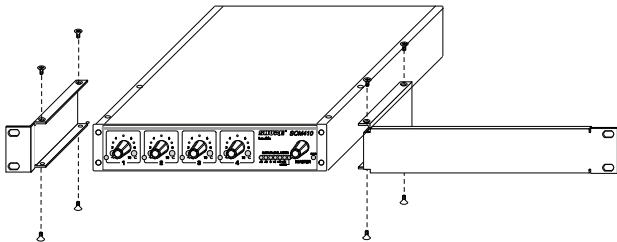
- 4 Gummisockel
- 1 Rack-Montagewinkel, lang
- 1 Rack-Montagewinkel, kurz
- 2 Spreizhalterungen
- 10 Halterungsschrauben, 6 mm
- 4 Rack-Befestigungsschrauben, 2,54 cm
- 4 Kunststoffscheiben
- 4 Holzschrauben, 1,25 cm

RACK-MONTAGE

Im Lieferumfang des SCM410 sind Befestigungsteile für die Montage eines oder zweier Geräte in einem 19-Zoll-Audio-Rack enthalten. Die Befestigungsteile können auch zur Rack-Montage anderer Shure Produkte, darunter SCM268, SCM262, DFR11EQ und DP11EQ verwendet werden.

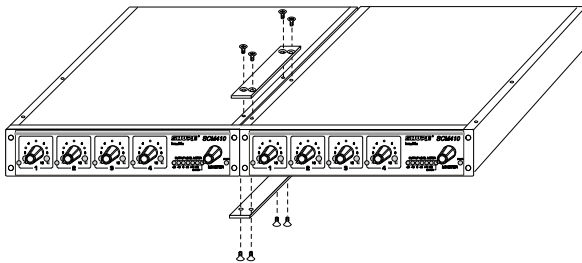
MONTAGE EINES EINZELNEN MISCHERS (HALB-RACK)

1. Den kurzen und langen Rack-Montagewinkel mit acht (8) der mitgelieferten Halterungsschrauben am SCM410/E befestigen, wie in Abbildung 4 dargestellt.



MONTAGE DER HALB-RACK-MONTAGEWINKEL
ABBILDUNG 4

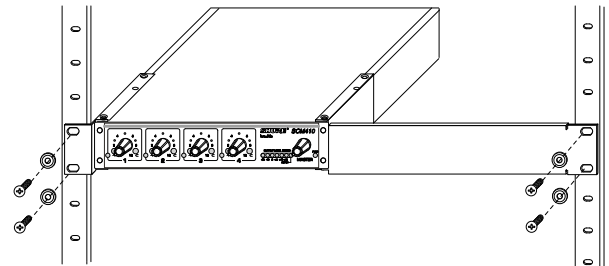
2. Den Mixer in ein Geräte-Rack einbauen und mit den mitgelieferten Rack-Montageschrauben und Kunststoffscheiben befestigen. Siehe Abbildung 5.



RACK-MONTAGE EINES EINZELNEN MISCHERS SCM410/E
ABBILDUNG 5

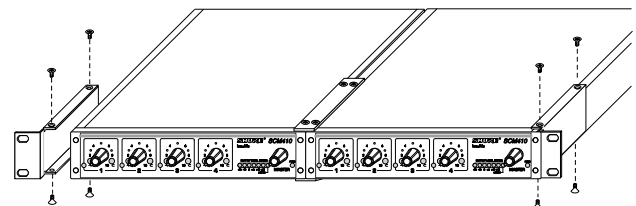
MONTAGE ZWEIER MISCHER (VOLL-RACK)

1. Die beiden Mixer nebeneinander platzieren und mit zwei (2) Spreizhalterungen verbinden. Die Halterungen sollten die Aussparungen an den oberen und unteren Kanten jedes Mixers umfassen. Siehe Abbildung 6.



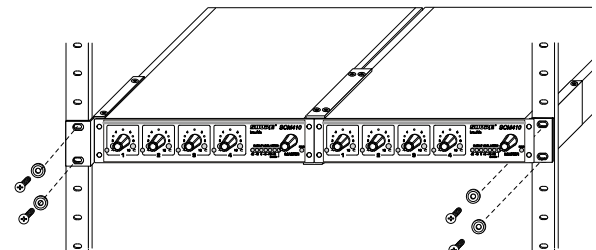
MONTAGE DER SPREIZHALTERUNGEN
ABBILDUNG 6

2. Die Spreizhalterungen mit acht (8) Halterungsschrauben befestigen.
3. Die kurzen Rack-Montagewinkel mit acht (8) der Halterungsschrauben an den Außenseiten der verbundenen Mixer befestigen. Siehe Abbildung 7.



MONTAGE DER VOLL-RACK-MONTAGEWINKEL
ABBILDUNG 7

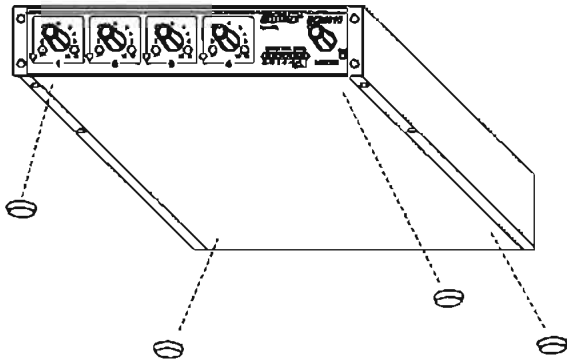
4. Den Mixer in ein Geräte-Rack einbauen und mit den mitgelieferten Rack-Montageschrauben und Kunststoffscheiben befestigen. Siehe Abbildung 8.



RACK-MONTAGE ZWEIER MISCHER SCM410/E
ABBILDUNG 8

TISCHPLATTEN-MONTAGE

Die vier (4) mitgelieferten Gummisockel an jeder Ecke auf der Unterseite des Mischers anbringen, siehe Abbildung 9. Dadurch wird Rutschen verhindert und die Tischfläche geschont.

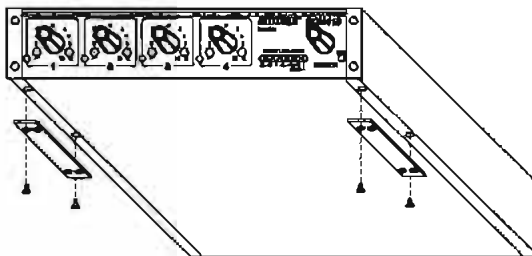


BEFESTIGUNG DER GUMMISOCKEL FÜR DIE
TISCHPLATTEN-MONTAGE
ABBILDUNG 9

FESTER EINBAU

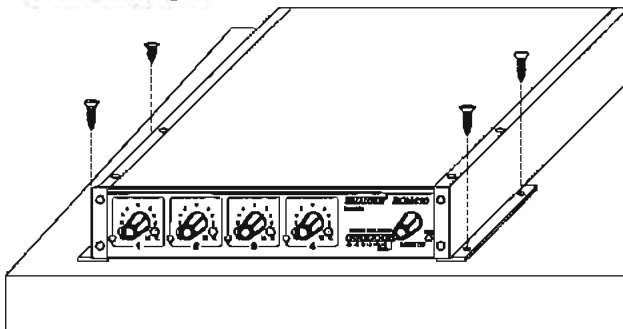
OBENLIEGENDER EINBAU

1. Die Spreizhalterungen mit vier (4) Halterungsschrauben an den Kantenaussparungen des Gehäuses befestigen, wie in Abbildung 10 dargestellt.



MONTAGE DER SPREIZWINKEL FÜR DEN
OBENLIEGENDEN EINBAU
ABBILDUNG 10

2. Die Spreizhalterungen mit den vier (4) mitgelieferten Holzschrauben an der Oberseite der Montagefläche befestigen. Siehe Abbildung 11

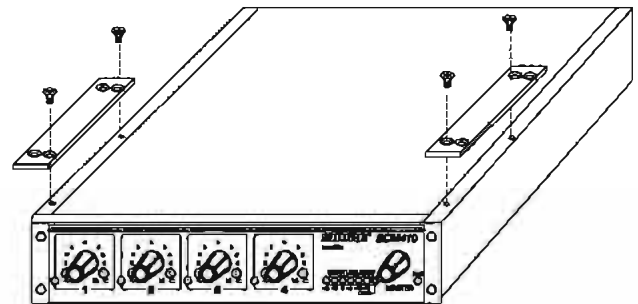


BEFESTIGUNG DES MISCHERS AN DER
OBENLIEGENDEN MONTAGEFLÄCHE
ABBILDUNG 11

HÄNGENDER EINBAU

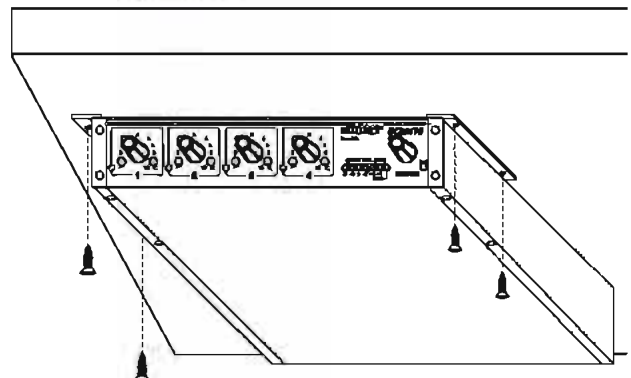
Hinweis: Die mitgelieferten Befestigungsteile sind zur Montage an Holz vorgesehen. Andere Oberflächenwerkstoffe erfordern die Verwendung zweckmäßiger Befestigungsteile, die mindestens für Belastungen mit 66 N ausgelegt sind.

1. Die Spreizhalterungen an der Oberseite des Gehäuses befestigen, wie in Abbildung 12 dargestellt.



MONTAGE DER SPREIZWINKEL FÜR DIE HÄNGENDE MONTAGE
ABBILDUNG 12

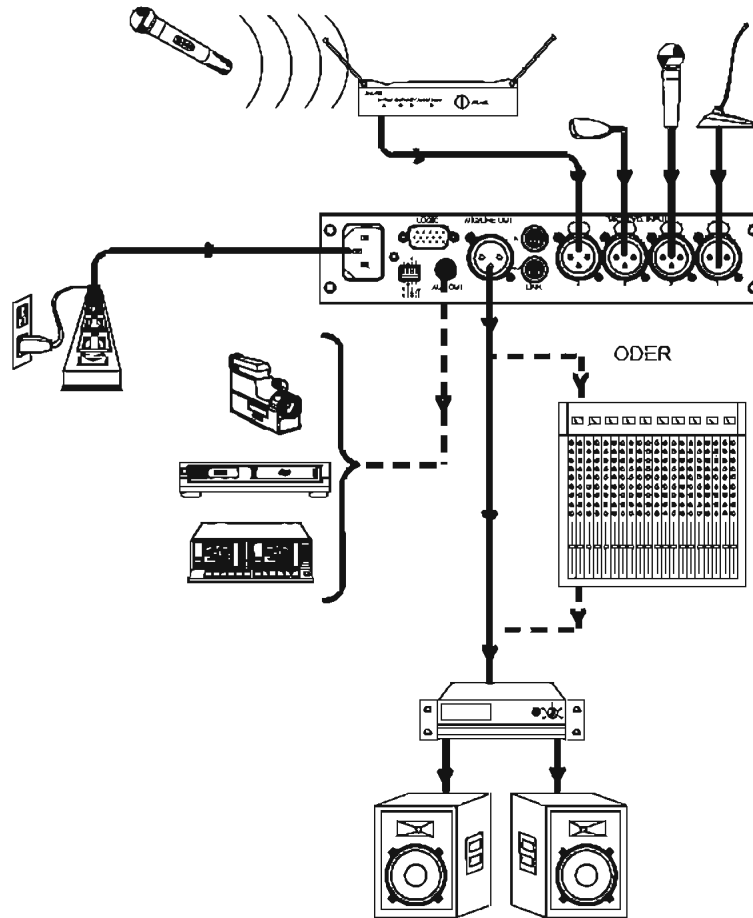
2. Die Spreizhalterungen mit den vier (4) mitgelieferten Holzschrauben an der Unterseite der Montagefläche befestigen. Siehe Abbildung 13.



BEFESTIGUNG DES MISCHERS AN DER
UNTENLIEGENDEN MONTAGEFLÄCHE
ABBILDUNG 13

SCM410-ANSCHLÜSSE

1. Die Mikrofon-Signalquellen an die Kanäleingänge anschließen, wie in Abbildung 14 dargestellt. Gewöhnliche abgeschirmte Audiokabel verwenden.
2. Werden Kondensatormikrofone angeschlossen, den DIP-Schalter für +12V Phantomspannung auf EIN stellen.
3. Den Mic/Line-Pegel-Ausgang des SCM410 an den Eingang eines Mixers, Equalizers, Verstärkers oder Bandgeräts anschließen.
4. Das Netzkabel in eine Netzsteckdose mit 220-240 V Wechselspannung (SCM410E) einstecken.



SCM410 ANSCHLÜSSE
ABBILDUNG 14

ZUSAMMENSCHALTUNG MEHRERER MISCHER

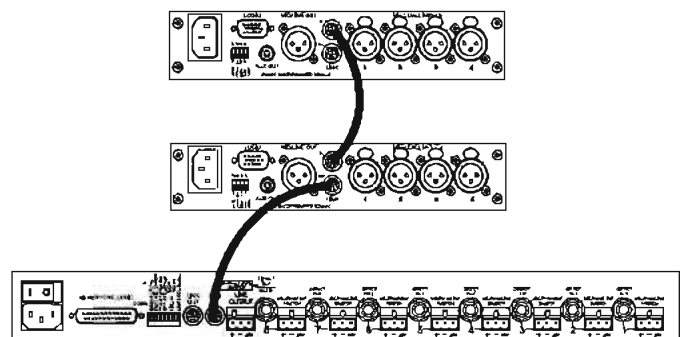
Werden mehr als 4 Eingänge benötigt, können mehrere Mischer Shure SCM410 oder SCM810 zusammengeschaltet werden, indem die „LINK OUT“-Buchse des ersten Mixers an die „LINK IN“-Buchse des nächsten Mixers angeschlossen wird, usw., wie in Abbildung 15 dargestellt. Die „LINK IN“-Buchse des ersten Mixers und die „LINK OUT“-Buchse des letzten Mixers bleiben hierbei unbeschaltet.

Bei sachgemäßer Zusammenschaltung fungieren die Mischer als ein einziges System. Die automatischen Mischfunktionen werden von allen Geräten gemeinsam verwendet. Alle Eingangssignale stehen an jedem Ausgang der so zusammengeschalteten Mischer zur Verfügung. Der Master-Pegelregler jedes Mixers wirkt nur auf den eigenen Ausgang. Die effektive Abschaltämpfung erhöht sich jedoch mit zunehmender Anzahl der zusammengeschalteten Mischer. Hierdurch werden der Störpegel und die Hallanteile weiter gedämpft, die sich sonst mit zunehmender Anzahl der Mikrofone erhöhen würden.

WICHTIG: Wenn die Logik-Terminals von zusammengeschalteten Mixern verwendet werden, müssen die LOGIC GROUND-Terminals der jeweiligen Geräte miteinander verbunden werden.

HINWEIS: Die Verbindungsanschlüsse im SCM410 sind unsymmetrisch. Um Probleme durch Brummen und Rauschen zu vermeiden, die Verwendung längere Verbindungskabel vermeiden. Hochwertige, abgeschirmte Kabel sollten verwendet und von magnetischen oder elektrischen Rauschquellen, wie z.B. großen Leistungstransformatoren oder Lichtreglern, ferngehalten werden.

Außerdem sollten die zusammengeschalteten Mischer aus demselben Netzkreis gespeist werden, um Erdströme zu minimieren.



ZUSAMMENGESCHALTETE MISCHER
SCM410 UND SCM810
ABBILDUNG 15

GRUNDREGELN FÜR DEN MISCHERBETRIEB

1. Den Pegel für jeden Kanal so einstellen, daß seine Übersteuerungs-LED nur bei sehr lauter Sprache oder Geräuschen aufleuchten.
2. Die neben jedem Eingangspegelsteller angeordneten Hoch- und Tiefpaßfilter so einstellen, daß alle Mikrofone in etwa gleich klingen.
3. Den Master-Pegelregler so einstellen, daß der Ausgangspegelmessgerät den erforderlichen Wert anzeigt. Der SCM410 ist jetzt betriebsbereit.

BEGRENZER

Begrenzer verhindern die Verzerrung bei lauten Programmspitzen, und lassen dabei die normalen Programmmaterialpegel unbeeinträchtigt. Auf diese Weise wird eine Überlastung der am Ausgang des SCM410 angeschlossenen Geräte verhindert. Ein Aufziehen der Kanal- oder des Master-Pegelregler auf dem SCM410 erhöht die durchschnittliche Ausgangsspannung und damit den Grad der Begrenzung.

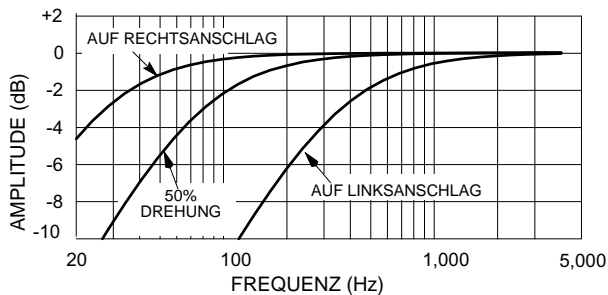
Der Begrenzer kann über den DIP-Schalter auf der Rückseite aktiviert werden. Der voreingestellte Schwellwert des Begrenzers ist +16 dBu. Werkseitig ist der Begrenzer abgeschaltet.

HINWEIS: Die Werkseinstellungen der Begrenzer-Schwellwerte können geändert werden. Siehe Anhang „Interne Modifikationen“.

EQUALIZER-FUNKTIONEN

LOWCUT-FILTER (HOCHPAß)

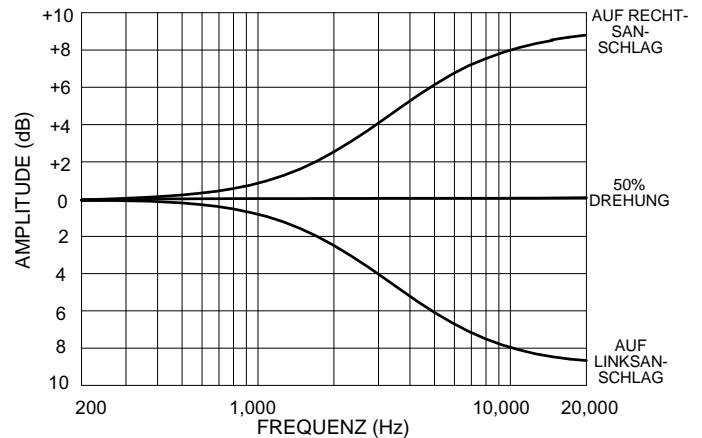
Die LowCut-Filter werden verwendet, um die tiefrequenten Vibrationen zu verringern, die zum Beispiel durch Trittschall und Straßenverkehr verursacht werden, oder dem Nahbesprecheffekt gegenzuwirken. Der SCM410 hat einen einpoligen LowCut-Filter mit einer Dämpfung von 6 dB/Oktave. Der LowCut-Filter ermöglicht allen Frequenzen, die oberhalb des Filter-Einsatzpunktes liegen, ungedämpft zu passieren. Frequenzen unterhalb dieses Punktes werden gedämpft (siehe Abbildung 16). Der Filter-Einsatzpunkt ist als diejenige Frequenz definiert, an der das Signal um 3 dB gegenüber dem linearen bzw. Bandpaßbereich gedämpft wird. Unterhalb des Einsatzpunktes bewirkt der Filter eine Dämpfung, die mit abnehmender Frequenz entsprechend zunimmt.



HOCHPASS-FILTEREFFEKTE
ABBILDUNG 16

HOCHFREQUENZ-FILTER MIT KUHSCHWANZ-CHARAKTERISTIK

Der Bezugspunkt dieses Filters mit fester Frequenz liegt bei 5 kHz und ermöglicht an diesem Punkt und darüber eine Anhebung von 6 dB (siehe Abbildung 17). Der Einsatz von Hochfrequenz-Filtern mit Kuschschwanz-Charakteristik ist äußerst nützlich für die Anhebung eines linearen Frequenzgangs, die Dämpfung von stark zischenden Sprachaufnahmen-Mikrofonen und die Klangverbesserung von außeraxialen Lavalier-Mikrofonen.



EFFEKTE DES HOCHFREQUENZ-FILTERS MIT
KUHSCHWANZ-CHARAKTERISTIK
ABBILDUNG 17

TECHNISCHE DATEN

Meßbedingungen (soweit nicht anders angegeben): Netzspannung 120 V Wechselspannung, 60 Hz (SCM410) oder 230 V Wechselspannung, 50 Hz (SCM410E), volle Verstärkung; 1 kHz, ein Kanal aktiviert; Quellimpedanzen: Mikrofon 150 Ω; Abschlußimpedanzen: Line/Mic Aux 10 kΩ

Frequenzgang (bei 1 kHz, Kanalregelknöpfe auf Mittenstellung)
50 Hz bis 20 kHz ±2 dB; -3 dB Eckfrequenz bei 25 Hz

Spannungsverstärkung (typisch, Pegelsteller auf Rechtsanschlag)

Eingang	Ausgang		
	Line	Mikrofon	Aux
M krofon mit niedriger Impedanz (150 Ω)	80 dB	40 dB	68 dB

Eingänge

Eingang	Impedanz		Eingangs-Clipping-Pegel
	ausgelegt für	Ist-Impedanz (typisch)	
M krofon	19-600 Ω	1,4 kΩ	-14 dBV

Ausgänge

Ausgang	Impedanz		Ausgangs-Clipping-Pegel
	ausgelegt für	Ist-Impedanz (typisch)	
Line	≥5k Ω	300 Ω	+22 dBv
M krofon	≥600 Ω	3 Ω	-20 dBv
Aux	≥10k Ω	1,5 kΩ	+12 dBv

Gesamtklirrfaktor

<0,1% bei +4 dBu Ausgangspegel, 50 Hz bis 20 kHz (über 22 Hz bis 22 kHz Filter; Eingang in 12-Uhr-Stellung und Master in 12-Uhr-Stellung, alle anderen Potis auf Linksanschlag)

Äquivalentes Eingangsruschen

(150 Ω Quelle; Bewertungskurve A)

-127 dBV max., -129 dBV typisch

Eigenrauschen (A) (Kanalregelknöpfe auf Linksanschlag Bewertungskurve A)

Master auf Linksanschlag: -101 dBV
Master auf Rechtsanschlag: -67 dBV

Gleichtaktunterdrückung

>70 dB bei 1 kHz

Polarität

Alle Eingänge an alle Ausgänge: nicht invertierend

Schaltzeiten der Eingangskanäle

Ansprechzeit: 4 ms
Haltezeit: 0,4 s
Abklingzeit: 0,5 s

Aus-Dämpfung

13 dB

Schutzschaltung gegen Überlastung und Kurzschluß

Kurzschluß der Ausgänge verursacht auch bei längerer Dauer keinen Schaden. Mikrofoneingänge werden durch Signale bis zu +10 dBV (3V) nicht beschädigt;

Entzerrung

LowCut-Filter: Absenkung 6 dB/Oktave, Eckfrequenz einstellbar von 25 bis 320 Hz
Tiefpaßfilter: ±6 dB bei 5 kHz, ±8 dB bei 10 kHz, mit Kuhschwanz-Charakteristik

Begrenzer

Typ: Spitzenpegel
Schwellwert: +16 dBu (Ausgangspegel)
Ansprechzeit: 2 ms
Abklingzeit: 300 ms
Anzeige: rote LED bei Begrenzereinsatz

Eingangs-LEDs

Grün bei Kanalaktivierung, rot bei 6 dB unter Clipping

Phantomspisespannung

12 V Leerlauf-Gleichspannung durch 680 Ω Widerstände

Betriebsspannung

SCM410E; 220-240 V Wechselspannung nominell, 50/60 Hz, 50 mA (max.)

Netz-Einschaltstoßstrom (230 V Wechselspannung, nur SCM410E)

0,7 A Spitze

Temperaturbereich

Betrieb: -7° bis 49°C
Lagerung: -29° bis 74°C

Gesamtabmessungen

44 mm H x 219 mm B x 267 mm

Nettogewicht

1,75 kg

Zulassungen

SCM410: ANGEFÜHRT durch UL 60065 und cUL. ANGEFÜHRT durch CAN/CSA-C22.2 No. 60065-3 Kanada.

SCM410E: Entspricht den Richtlinien der Europäischen Union; zum Tragen des CE-Zeichens berechtigt. Niederspannungsrichtlinie 2006/95/EC: Zertifizierung unter EN 60065. EMC-Richtlinie 2004/108/EC: Entspricht den Anforderungen der harmonisierten Normen EN55103-1:1996 und EN55103-2:1996; für Wohngebiete (E1) und Leichtindustriegebiete (E2).

Entspricht der Europäischen Verordnung (EG) Nr. 1275/2008, geänderte Fassung.

Die CE-Übereinstimmungserklärung kann von Shure Incorporated oder einem der europäischen Vertreter bezogen werden. Kontaktinformationen sind im Internet unter www.shure.com zu finden.

Die CE-Übereinstimmungserklärung ist erhältlich bei:

Bevollmächtigter Vertreter in Europa:

Shure Europe GmbH
Headquarters Europe, Middle East & Africa
Abteilung: EMEA-Zulassung
Jakob-Dieffenbacher-Str. 12
75031 Eppingen, Deutschland
Telefon: +49 7262 9249 0
Telefax: +49 7262 9249 114
E-Mail: info@shure.de

Ersatzteile

Reglerknopf, Master (weiß).....	95A8238
Reglerknopf, Kanalverstärkung (blau)	95B8238
Netzkabel (SCM410).....	95B8389
Netzkabel (SCM410E)	95B8778
Verbindungskabel	95B8889
Sicherung, SCM410 (5 x 20 mm, T 125mA L, 250V, mit Zeitverzögerung)	80AA730
Sicherung, SCM410E (5 x 20 mm, T 50mA L, 250V, mit Zeitverzögerung)	80J380
Lange Rack-Halterung	53A8484
Kurze Rack-Halterung.....	53E8484
Spreizschiene.....	53B8443
Befestigungsteilesatz im Beutel	90AW8100

Sonderzubehör

Netzkabel, 230-240 V Wechselspannung (UK).....	95A8713
Externes 50 dB Leitungsdämpfungsglied	A15LA

Kundendienst

Weitere Informationen über Kundendienst oder Ersatzteile erhalten Sie von der Shure-Kundendienstabteilung unter der Nummer 1-800-516-2525 (nur innerhalb der USA). Außerhalb der USA wenden Sie sich bitte an ein Shure-Vertragskundendienstzentrum.

ERWEITERTE FUNKTIONEN

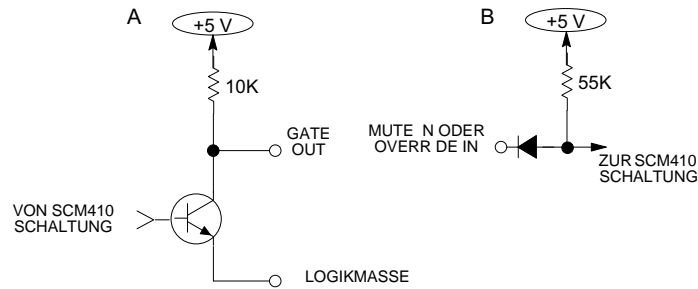
VORSICHT: Der Einsatz der erweiterten Funktionen wird nur für qualifizierte Tontechniker empfohlen.

TECHNISCHE DATEN FÜR DIE LOGIKANSCHLÜSSE

Durch die Logikfunktionen des SCM410 werden die Einsatzmöglichkeiten und Steuerungsoptionen des Mixers erweitert. Die Logikschaltungen finden ihren Einsatz von der einfachen Räumertaste bis hin zu ausgeklügelten computergesteuerten Raumanlagen. (Die Shure-Broschüre *AMS Update* enthält weitere Anwendungsbeispiele der erweiterten Logik. Diese Broschüre ist vom Shure Applications Department erhältlich.) Folgende Logikfunktionen stehen für jeden Kanal zur Verfügung:

GATE OUT: Folgt der Kanal-Gatesteuerung und geht in den Zustand „Logisch Null“ (Logic Low) über (senkt Strom ab), wenn das Mikrofon angesteuert wird. Die Strombelastbarkeit beträgt 500 mA (siehe Abbildung 18A).

MUTE IN: Das Anlegen von „Logisch Null“ (von GATE OUT oder einer Schalterschließung zur Logikmasse) schaltet den Kanal stumm (siehe Abbildung 18B). Der Kanalausgang fällt auf ∞ ab.

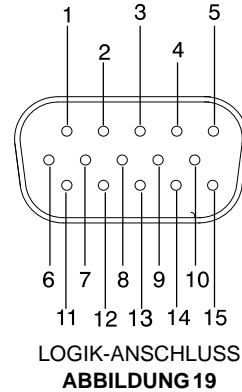


LOGIK-ÄQUIVALENT-SCHALTPLAN
ABBILDUNG 18

OVERRIDE IN: Das Anlegen von „Logisch Null“ (von GATE OUT oder einer Schalterschließung zur Logikmasse) zwingt den Kanal zum Öffnen (siehe Abbildung 18B). Wenn „Mute“ und „Override“ gleichzeitig aktiviert werden (Informationen zum Override-Vorrang sind im Anhang „Interne Modifikationen“ zu finden), hat „Mute“ Vorrang.

LOGIC GROUND: Die Logikerdung ist nicht identisch mit der Tonerdung. Alle Logikmasse-Anschlüsse sind an diesem Pin vorzunehmen, einschließlich der Netzteilmasse externer Logikschaltungen. Um Schaltgeräusche zu vermeiden, diese Logikmasse *nicht* mit der Audio-, Geräte- oder Rack-Masse verbinden.

Die Logikterminals sind über den DB-15-Multipin-Stecker auf der Geräterückseite zugänglich (siehe Abbildung 19). Die Pinbelegung ist in der folgenden Tabelle aufgeführt.



LOGIKBELEGUNGEN

Stift-Nr.	Logikfunktion
1	OVERRIDE IN 1
2	OVERRIDE IN 2
3	OVERRIDE IN 3
4	GATE OUT 4
5	LOGIKERDUNG
6	GATE OUT 1
7	GATE OUT 2
8	GATE OUT 3
9	KEINE VERBINDUNG
10	MUTE IN 4
11	MUTE IN 1
12	MUTE IN 2
13	MUTE IN 3
14	OVERRIDE IN 4
15	KEINE VERBINDUNG

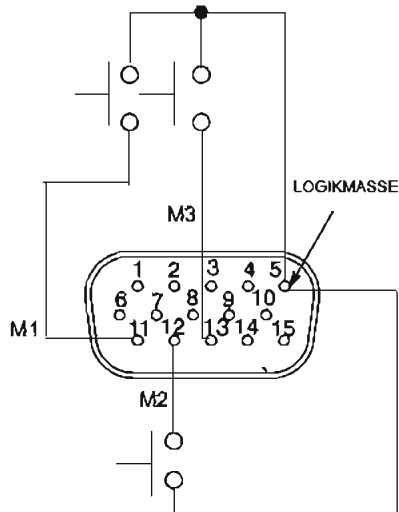
Logikfunktion	Stift-Nr.
GATE OUT 1	6
GATE OUT 2	7
GATE OUT 3	8
GATE OUT 4	4
OVERRIDE IN 1	1
OVERRIDE IN 2	2
OVERRIDE IN 3	3
OVERRIDE IN 4	14
MUTE IN 1	11
MUTE IN 2	12
MUTE IN 3	13
MUTE IN 4	10
LOGIKERDUNG	5
KEINE VERBINDUNG	15
KEINE VERBINDUNG	9

VORSCHLÄGE FÜR LOGIKANWENDUNGEN

Der folgende Abschnitt beinhaltet Vorschläge für die Anwendung der Logik-Steuerfunktionen des SCM410. Natürlich ist die Nutzung dieser Funktionen nicht auf die aufgeführten Anwendungen beschränkt. Der Kreativität des einzelnen Anwenders bieten sich zahlreiche weitere Optionen. Weitere Vorschläge und Lösungen für Installationsprobleme erhalten Sie von der Shure Applications Group (bzw. von der zuständigen Landesvertretung).

RÄUSPERTASTE

Diese dient zur kurzzeitigen Ausschaltung einzelner Mikrofone für Rauserpausen oder Privatgespräche durch den Einbau eines einpoligen Drucktastenschalters zwischen die MUTE IN- und Logic Ground-Pins der zu modifizierenden Kanäle (siehe Abbildung 20). Wenn ein Kanal stummgeschaltet ist, können keine Audio-Signale passieren. (Weitere Informationen über die MUTE IN-Logik finden sich unter „Tote Zone bei Deaktivierung von MUTE IN“ im Anhang „Interne Modifikationen“.)

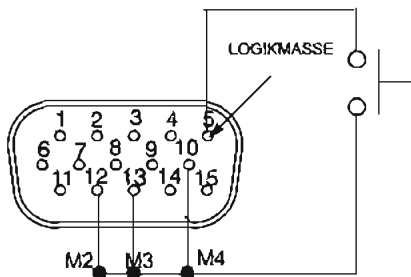


RÄUSPERTASTEN
ABBILDUNG 20

GEREGELTE STUMMSCHALTUNG FÜR DEN VORSITZENDEN

Hierdurch kann z.B. ein Vorsitzender über einen Schalter alle Mikrofone, außer seinem eigenen, stummschalten und dadurch ohne Unterbrechungen reden. Für diese Betriebsart werden alle MUTE IN-Pins miteinander verbunden, mit Ausnahme des Kanalanschlusses für den Vorsitzenden, und ein einpoliger Drucktasten- oder Kippschalter wird zwischen diesen MUTE IN- und Logic Ground-Pins geschaltet (siehe Abbildung 21).

Eine Alternative zum o.g. Schalter stellt die Verbindung des GATE OUT des Vorsitzenden und der MUTE INs aller anderen Kanäle dar. Wird jetzt das Mikrophon des Vorsitzenden aktiviert, werden alle anderen Mikrofone automatisch stummgeschaltet.

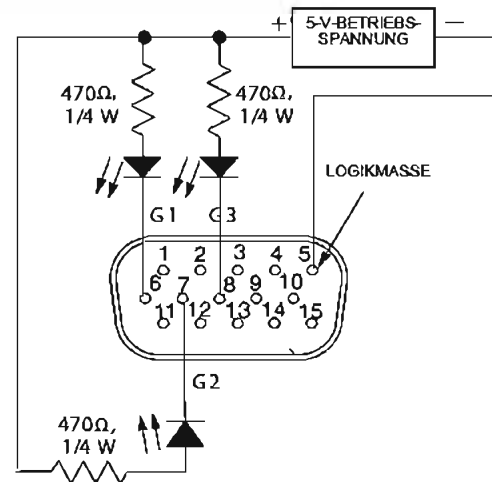


GEREGELTE STUMMSCHALTUNG FÜR DEN
VORSITZENDEN
ABBILDUNG 21

FERNANZEIGE „KANAL AKTIV“

Mit dieser Schaltung kann eine Fernanzeige der jeweils geöffneten Mikrofone realisiert werden. Die LEDs und eine 5-Volt-Stromversorgung an die GATE-OUT-Pins anschließen (siehe Abbildung 22). Um Schaltgeräusche zu vermeiden, darf das externe Netzteil *nicht* mit der Chassis- oder Rack-Masse verbunden werden.

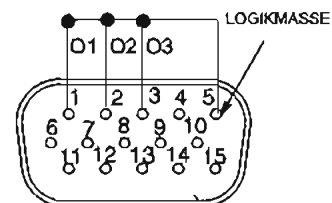
WICHTIG: Wird für das Mikrophon-Tonsignal *und* die LED-Steuergleichspannung das gleiche Kabel verwendet, müssen getrennt abgeschirmte Paare benutzt werden. Andernfalls können über eine Kapazitätskopplung zwischen den Gleichspannungs- und Mikrophonleitungen Schaltgeräusche induziert werden.



FERNANZEIGE „KANAL AKTIV“
ABBILDUNG 22

DEAKTIVIEREN DER GATE-FUNKTION (BYPASS)

Um bestimmte Mikrofone permanent geöffnet zu halten, werden die OVERRIDE IN-Pins der gewünschten Mikrofonkanäle mit dem Logicmasse-Pin verbunden. Die ausgewählten Kanäle funktionieren nun wie in einem Mischer ohne Automatikmodus (siehe Abbildung 23). Um diese Modifikation intern im Mixer auszuführen, siehe „Override In intern auf Logikerdung anlegen“ im Anhang „Interne Modifikationen“.



DEAKTIVIEREN DER
GATE-FUNKTION (BYPASS)
ABBILDUNG 23

GATESTEUERUNG DURCH STÖRSCHALL VERHINDERN

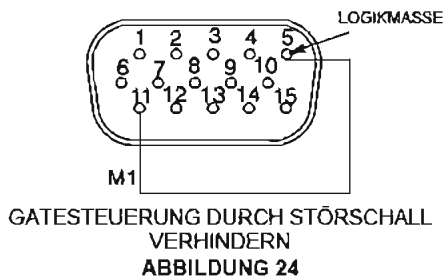
Die MaxBus-Schaltung versucht, jeweils nur ein Mikrofon pro Schallquelle zu aktivieren. Die Stummschaltung eines Mikrofonkanals verhindert, daß das Audio-Signal am Mischerausgang erscheint. Allerdings kommuniziert dieses stummgeschaltete Mikrofon immer noch über MaxBus mit anderen Mikrofonkanälen. Eine Schallquelle, die durch das stummgeschaltete Mikrofon aufgenommen wird, aktiviert keine anderen Mikrofone.

Zu typischen Störschallquellen, die die unerwünschte Aktivierung eines Mikrofonkanals verursachen können, gehören:

- Heizung, Ventilation oder Klimaanlage
- laute Faxgeräte oder Drucker
- quietschende Türen
- Lautsprecher einer Rufanlage
- Lautsprecher eines Telekonferenz-Systems

Der SCM410 kann die Aktivierung von Mikrofonen durch solche und ähnliche Schallquellen wie folgt verhindern.

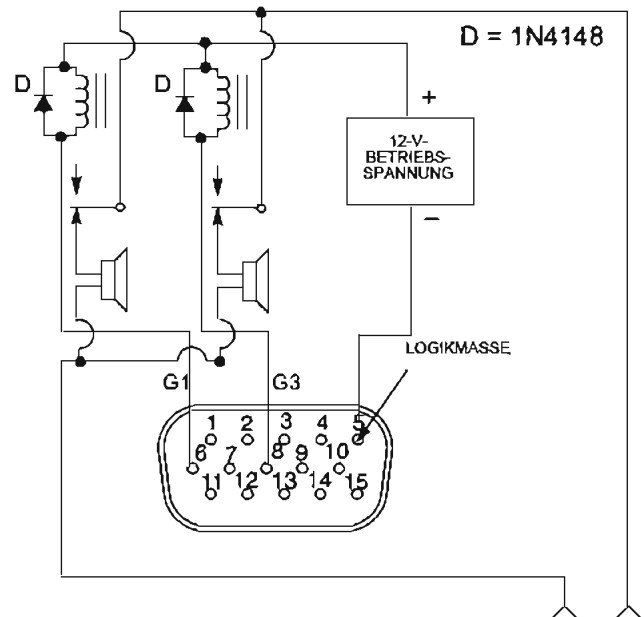
1. Ein Mikrofon in der Nähe der Störschallquelle plazieren. Das Signal dieses Mikrofons an einen Kanaleingang führen. -oder- die Störschallquelle direkt an einem Kanaleingang anschließen.
2. Diesen Kanal mit Hilfe des Logik-Terminals stummschalten (siehe Abbildung 24). Um diese Modifikation intern im Mixer auszuführen, siehe Override In intern auf Logikerdung anlegen im Anhang Interne Modifikationen.
3. Die Verstärkung dieses Kanals gerade so einstellen, daß die anderen Mikrofone des Systems bei Auftreten des Störschalls nicht aktiviert werden. Ist die Kanalverstärkung zu hoch eingestellt, wird es schwierig, die übrigen Systemmikrofone durch Nutzschall zu aktivieren. Ist die Einstellung zu gering, wird die Störquelle auch weiterhin die übrigen Mikrofone aktivieren.



GATESTEUERUNG DURCH STÖRSCHALL VERHINDERN
ABBILDUNG 24

LAUTSPRECHER-STUMMSCHALTUNG

Einige Anwendungen erfordern zu Beschallungszwecken, bei Telekonferenzen oder für die Monitorkontrolle bei Konferenzen die Aufstellung von Lautsprechern in der Nähe der Sprecher. Jeder in der Nähe eines Mikrofons aufgestellte Lautsprecher kann eine Rückkopplung erzeugen, wenn er während des Sprechens nicht automatisch abgeschaltet wird. Hierzu wird das GATE OUT-Terminal jedes Kanals auf ein getrenntes Relais zur Lautsprecher-Stummschaltung geführt (siehe Abbildung 25). Folgende Relais oder gleichwertige Produkte werden empfohlen: Radio Shack 275-248, Omron G2R-14-DC12 (Digi-Key-Nummer Z745-ND), Potter & Brumfield R10-E1Y2-V185 (Newark-Nummer 45F106)



LAUTSPRECHER-STUMMSCHALTUNG
ABBILDUNG 25

HINWEIS: Über jede Relaiswicklung sollte eine Diode gelegt werden, um induktive Spannungsspitzen zu unterdrücken, die u. U. zu Beschädigungen des SCM410 führen können.

Eine vorhandene Beschallungsanlage, in der 24-V-Relais eingesetzt werden, kann ohne weitere Modifikation zusammen mit dem SCM410 verwendet werden, wenn die Relais-Stromaufnahme unter 500 mA liegt.

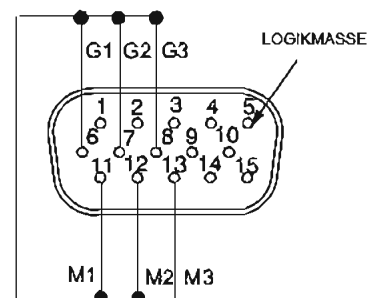
„FILIBUSTER“-MODUS (FÜR DAUERREDNER)

Normalerweise schaltet jedes angesprochene Mikrofon durch, auch wenn mehrere Redner sprechen, um keinen Redebeitrag zu verpassen. Im „Filibuster“-Modus verhindert ein einmal aufgeschaltetes Mikrofon die Ansteuerung aller anderen Mikrofone, und zwar solange, bis der Redner eine Pause macht, die größer als die Abklingzeit des Gate ist. Keine anderen Mikrofone können angesteuert werden, bis dieses Mikrofon ausgeschaltet ist. Dadurch wird verhindert, daß ein Redner unterbrochen werden kann.

Zum Einrichten des Filibuster-Modus nach Abbildung 26 wie folgt vorgehen:

1. Die Modifikation Mute auf Inhibit durchführen, die im Anhang Interne Modifikationen beschrieben ist.
2. Alle MUTE IN-Pins des modifizierten Kanals miteinander verbinden.
3. Alle GATE OUT-Pins der modifizierten Kanäle miteinander verbinden.
4. Den GATE OUT-Pin eines modifizierten Kanals mit dem MUTE IN-Pin eines anderen modifizierten Kanals verbinden.
5. Den Schalter „Last Mic Lock-On“ auf AUS schalten.

HINWEIS: Zur Vermeidung von HF-Schwingungen niemals den GATE OUT-Pin eines Kanals mit dem eigenen MUTE IN-Pin verbinden, bevor nicht die Modifikation *Mute auf Inhibit* durchgeführt wurde.



„FILIBUSTER“-MODUS (FÜR DAUERREDNER)
ABBILDUNG 26

„INHIBIT“-FUNKTION

Informationen über die Inhibit-Funktion sind im Anhang „Interne Modifikationen“ zu finden.

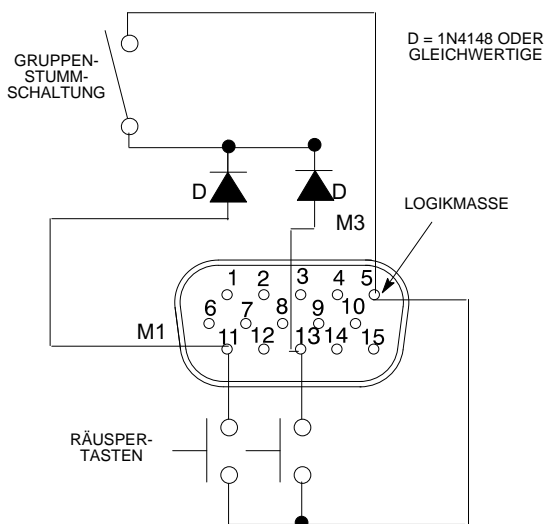
FERNBEDIENUNG DES LAUTSTÄRKEPEGELREGLERS

Mit Hilfe eines externen spannungsgesteuerten Verstärkers (VCA = Voltage Controlled Amplifier) wie dem RU-VCA1 von Radio Design Labs (1-800-281-2683 [nur in den USA] oder www.rdl.net.com) können AUX- oder der Master-Pegel über eine Gleichspannung fernbedient werden. Zum Anschließen des VCA am SCM410 wie folgt vorgehen:

1. Den SCM410 Line-Ausgang an den VCA-Line-Eingang anschließen.
2. Den VCA-Line-Ausgang an das externe Gerät anschließen.
3. Zur Fernsteuerung des Master-Pegels den SCM410 Master-Reglerknopf auf 5 einstellen.

DIODENTRENNUNG DER LOGIKSTEUERUNG

Werden bei zwei oder mehr Steuerfunktionen die gleichen Logikpins verwendet, können diese über Dioden getrennt werden, wie in Abbildung 27 dargestellt. Auf diese Weise kann ein Kanal durch eine Gesamtschaltergruppe oder durch seine eigene Rauspertaste stummgeschaltet werden.

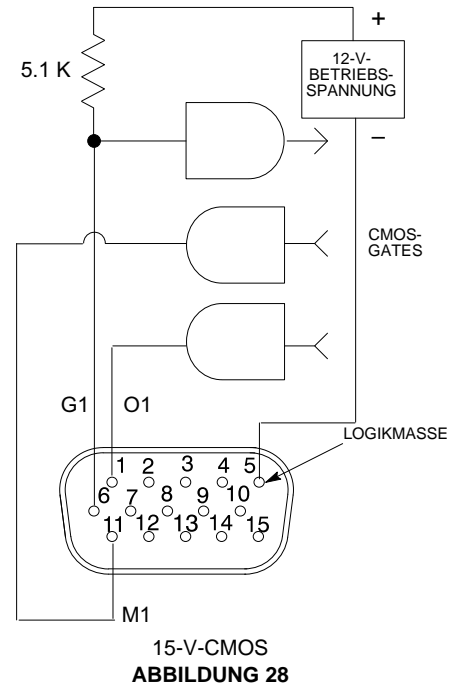


DIODENTRENNUNG DER LOGIKSTEUERUNG
ABBILDUNG 27

EXTERNE LOGIK-STEUERGERÄTE

Die Logikpegel des SCM410 sind direkt kompatibel mit TTL- und 5-V-CMOS-Schaltungen. Die Mischer-Logiksteuerung kann auch mit einer 15-V-CMOS-Logik betrieben werden, wenn ein Endwiderstand an jedem GATE-Ausgang verwendet wird. Siehe Abbildung 28.

HINWEIS: Informationen über Logik-Gate-Schaltungen enthalten die Broschüren *TTL Cookbook* und *CMOS Cookbook* von D. Lancaster, Howard Sams Publishing Co.



15-V-CMOS
ABBILDUNG 28

DIGITALE STEUERUNG ODER MIKROCOMPUTER

Die Logikpins des SCM410 können an die Schnittstellen anwendungsspezifischer digitaler Steuerungen oder Mikrocomputer angeschlossen werden, womit sich nahezu unbegrenzte Einsatzmöglichkeiten der Systemsteuerung ergeben.

CONTENIDO

DESCRIPCION	39
CARACTERISTICAS	39
PRINCIPIOS DE FUNCIONAMIENTO	39
PANEL DELANTERO	39
PANEL TRASERO	40
FUNCIONES DE LOS INTERRUPTORES DIP	40
INSTALACION	41
TORNILLERIA INCLUIDA	41
MONTAJE EN BASTIDOR	41
MONTAJE EN MESA	42
MONTAJE FIJO	42
CONEXIONES DE LA SCM410	43
ENLACE DE VARIAS CONSOLAS MEZCLADORAS	43
FUNCIONAMIENTO BASICO DE LA CONSOLA MEZCLADORA	44
LIMITADOR	44
FUNCIONES DEL ECUALIZADOR	44
ESPECIFICACIONES	45
FUNCIONES AVANZADAS	46
ESPECIFICACIONES DE CONEXIONES LOGICAS	46
USOS SUGERIDOS DE FUNCIONES LOGICAS	47




Este símbolo indica que la unidad contiene niveles de voltaje peligrosos que representan un riesgo de choques eléctricos.



Este símbolo indica que la literatura que acompaña a esta unidad contiene instrucciones importantes de funcionamiento y mantenimiento.

ADVERTENCIA: Los voltajes presentes en este equipo representan un riesgo para la vida. No contiene componentes reparables por el usuario. Toda reparación debe ser llevada a cabo por técnicos calificados. Las certificaciones de seguridad no tienen vigencia cuando el voltaje de funcionamiento de la unidad es cambiado a un valor distinto al ajustado en fábrica.

! INSTRUCCIONES IMPORTANTES DE SEGURIDAD !

- | | |
|---|---|
| <ol style="list-style-type: none"> 1. LEA estas instrucciones. 2. CONSERVE estas instrucciones. 3. PRESTE ATENCION a todas las advertencias 4. SIGA todas las instrucciones. 5. NO utilice este aparato cerca del agua. 6. LIMPIESE UNICAMENTE con un trapo seco. 7. NO obstruya ninguna de las aberturas de ventilación. Instátese según lo indicado en las instrucciones del fabricante 8. No instale el aparato cerca de fuentes de calor tales como radiadores, registros de calefacción, estufas u otros aparatos (incluyendo amplificadores) que produzcan calor. 9. NO anule la función de seguridad del enchufe polarizado o con clavija de puesta a tierra. Un enchufe polarizado tiene dos patas, una más ancha que la otra. Un enchufe con puesta a tierra tiene dos patas y una tercera clavija con puesta a tierra. La pata más ancha o la tercera clavija se proporciona para su seguridad. Si el tomacorriente no es del tipo apropiado para el enchufe, consulte a un electricista para que sustituya el tomacorriente de estilo anticuado. 10. PROTEJA el cable eléctrico para evitar que personas lo pisen o estrujen, particularmente en sus enchufes, en los tomacorrientes y en el punto en el cual sale del aparato 11. UTILICE únicamente los accesorios especificados por el fabricante. | <ol style="list-style-type: none"> 12.  UTILICESE únicamente con un carro, pedestal, tripode, escuadra o mesa del tipo especificado por el fabricante o vendido con el aparato. Si se usa un carro, el mismo debe moverse con sumo cuidado para evitar que se vuelque con el aparato. 13. DESENCHUFE el aparato durante las tormentas eléctricas, o si no va a ser utilizado por un lapso prolongado 14. TODA reparación debe ser llevada a cabo por técnicos calificados. El aparato requiere reparación si ha sufrido cualquier tipo de daño, incluyendo los daños al cordón o enchufe eléctrico, si se derrama líquido sobre el aparato o si caen objetos en su interior, si ha sido expuesto a la lluvia o la humedad, si no funciona de modo normal, o si se ha caído 15. NO exponga este aparato a chorros o salpicaduras de líquidos. NO coloque objetos llenos con líquido, tales como floreros, sobre el aparato 16. El enchufe de alimentación principal o acoplador de aparato electrodoméstico deberá permanecer en condiciones de funcionamiento. 17. El nivel de ruido transmitido por el aire del aparato no excede de 70 dB (A). 18. Los aparatos de fabricación CLASE I deberán conectarse a un tomacorriente DE ALIMENTACIÓN con clavija de puesta a tierra protectora. 19. Para reducir el riesgo de causar un incendio o sacudidas eléctricas, no exponga este aparato a la lluvia ni a humedad. 20. No intente modificar este producto. Hacerlo podría causar lesiones personales y/o la falla del producto. |
|---|---|

DESCRIPCION

El modelo SCM410/E de Shure es una consola mezcladora automática de micrófonos de cuatro canales diseñada para trabajar en aplicaciones de refuerzo de sonido, grabación de audio y difusión. El modelo SCM410 mejora considerablemente la calidad de audio en cualquier aplicación en la que se necesiten varios micrófonos. Cualquier micrófono dinámico o de condensador (incluidos los inalámbricos) de baja impedancia puede utilizarse con el SCM410. Asimismo, es posible enlazar varias consolas mezcladoras SCM410 con otras consolas mezcladoras SCM410, así como con los modelos de mezcladoras FP410, SCM810, y SCM800 de Shure.

CARACTERISTICAS

- Selección rápida y libre de ruidos del micrófono que se adapta automáticamente a los cambios que se producen en el ruido de fondo.
- Ajuste automático de la ganancia a medida que se activan micrófonos adicionales (NOMA: Siglas de atenuador de número de micrófonos activos, en inglés)
- El circuito de enclavamiento de último micrófono activo mantiene la presencia de sonido ambiental
- Ocupa la mitad de una posición de bastidor
- Ecuador ajustable para cada canal
- Entradas XLR activas y equilibradas para micrófonos y una salida XLR activa y equilibrada para micrófono/línea
- Salida desequilibrada auxiliar para audífonos
- LED de dos colores de activación del canal y de limitación
- Limitador de salida de respuesta al nivel máximo con indicador LED
- Medidor del nivel de salida de respuesta al nivel máximo

PRINCIPIOS DE FUNCIONAMIENTO

El concepto de funcionamiento en el que se basa la consola mezcladora SCM410 es el circuito patentado por Shure® *IntelliMix*®. *IntelliMix* produce una mezcla automática sin interrupciones gracias a la combinación de tres funciones distintas:

- **Umbral adaptable de ruido.** Para cada canal de entrada establece una distinción entre ruido de fondo constante (como puede ser el de una unidad de aire acondicionado) y ruido cambiante (como puede ser la voz de una persona). Así, adapta continuamente el umbral de activación de modo que el canal sólo se activa cuando los niveles de voz son más altos que el ruido de fondo.
- **MaxBus.** Controla el número de canales que pueden ser

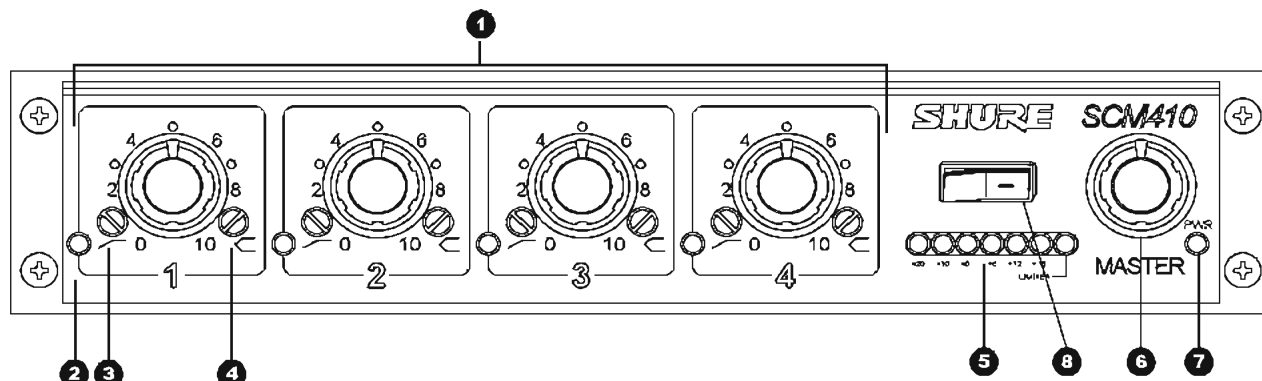
activados por una sola fuente de sonido. De este modo, un orador activa sólo un canal, aun cuando haya varios micrófonos "escuchando" a dicho orador.

- **Enclavamiento del último micrófono activo.** Mantiene abierto el último micrófono activado hasta que se activa otro micrófono. Sin la función de enclavamiento del último micrófono activo, una pausa larga en la conversación haría que todos los micrófonos se desactivaran, lo cual podría dar la sensación de pérdida de la señal de audio. La función de enclavamiento del último micrófono activo asegura así que siempre haya un sonido ambiental presente.

*Patentes EE.UU. 4 658 425 y 5.297 210

IntelliMix es marca registrada de Shure Incorporated.

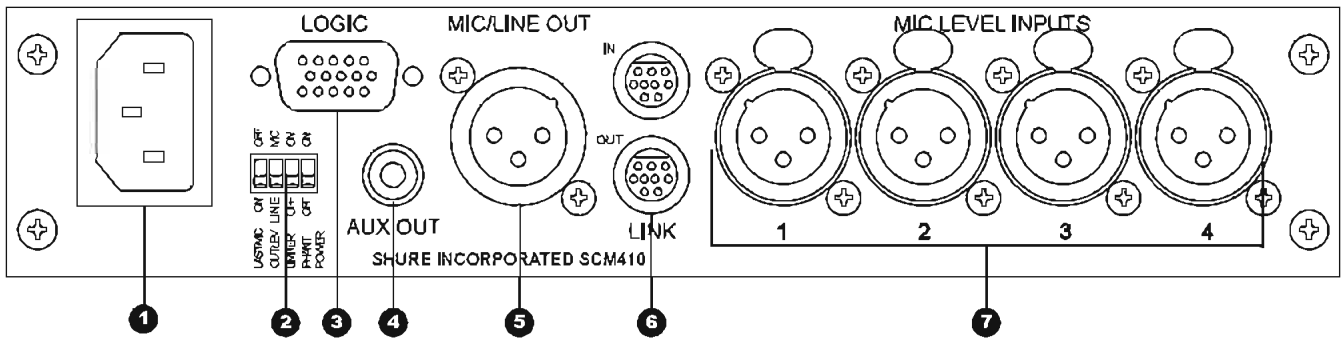
PANEL DELANTERO



PANEL DELANTERO DEL MODELO SCM410

FIGURA 1

- 1 **Controles de ganancia de los canales de micrófono 1 - 4:** Permite ajustar la ganancia de los micrófonos.
- 2 **LED de entrada 1 - 4:** Se ilumina de color verde cuando el canal está activo y de color rojo cuando la señal está 6 dB por debajo del nivel de limitación.
- 3 **Filtro de atenuación de bajos 1 - 4:** Permite una atenuación progresiva de bajas frecuencias (filtro pasaaltos) para reducir los sonidos de baja frecuencia no deseados.
- 4 **Filtros limitadores de alta frecuencia 1 - 4:** Permite amplificar o atenuar las frecuencias de la zona media/alta para reducir la sibilancia de los micrófonos vocales o para compensar la captación de sonidos fuera del eje principal de los micrófonos de corbata.
- 5 **Medidor de nivel de salida:** Medidor de seis segmentos LED indica el nivel máximo de la señal de salida en dBu (0 dBu = 0,775V). El LED rojo se ilumina si la amplitud de la señal de salida está a 6 dB por debajo del nivel de limitación. El último LED indica la activación del limitador.
- 6 **Control de nivel MASTER (maestro).** Controla el nivel de salida global.
- 7 **LED POWER (alimentación).** Se ilumina de color verde cuando la consola mezcladora se conecta a una fuente de alimentación.
- 8 **INTERRUPTOR de energía eléctrica.**
Nota: Depende del país

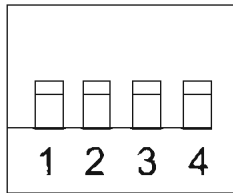


PANEL TRASERO DEL MODELO SCM410
FIGURA 2

- 1 **Enchufe de alimentación:** La unidad recibe energía cuando el cable de alimentación está conectado a una fuente de alimentación de 100-120 VCA (SCM410) o de 220-240 VCA (SCM410E). **NOTA:** Esta consola mezcladora no dispone de interruptor de encendido y apagado.
- 2 **Interruptor DIP:** El DIP de 4 posiciones ofrece funciones adicionales. Consulte la sección "Funciones de los interruptores DIP".
- 3 **Conector lógico para micrófonos:** Conector macho DB-15 de alta densidad que ofrece conexión con los bornes lógicos SALIDA DE COMPUERTA, ENTRADA DE SILENCIAMIENTO y ENTRADA DE SOBREPASO en cada canal. Consulte la sección "Funciones avanzadas". **NOTA:** ESTO NO ES UN PUERTO PARA MONITORES VGA.
- 4 **Conector AUX OUT (de salida auxiliar) para audífonos:** Sirve para alimentar la señal a equipos de audio comunes, como pueden ser una grabadora, una videograbadora o una cámara de vídeo. Su señal no se ve afectada por el interruptor MIC/LINE (micrófono/línea).
- 5 **Conector XLR MIC/LINE OUTPUT (salida XLR de micrófono/línea):** Puede configurarse para salida de línea o de micrófono a través de un interruptor DIP.
- 6 **Conector LINK IN/OUT (enlaces de entrada/salida):** Permite enlazar varias consolas mezcladoras SCM410/E, SCM810, SCM800 o AMS8100, con lo que crea entradas adicionales.
- 7 **Conectores MIC LEVEL XLR INPUT (entrada XLR de micrófono):** Entradas XLR activas y equilibradas para micrófono. Si desea consultar las instrucciones que debe seguir para modificar el nivel de estas entradas, consulte el Suplemento "Modificaciones internas".

FUNCIONES DE LOS INTERRUPTORES DIP

Las funciones de los interruptores DIP del panel trasero, mostrados en la Figura 3, se describen en la tabla siguiente:



INTERRUPTORES DIP
FIGURA 3

	Enclavamiento de último micrófono activo	Nivel XLR de salida	Limitador	Potencia fantasma de 12 V
Número de interruptor	1	2	3	4
Interruptor hacia arriba	Todos los micrófonos se desactivan tras el tiempo de espera	Nivel de micrófono	Encendido	Encendido
Interruptor hacia abajo	Encendido*	Nivel de línea*	Apagado*	Apagado*

*Ajuste de fábrica.

Enclavamiento del último micrófono activo: Mantiene abierto el último micrófono activado hasta que se activa otro micrófono. Cuando se anula, los micrófonos se desactivan una vez transcurrido el tiempo de espera por omisión.

Nivel de salida XLR: Ajusta el nivel de la salida XLR al nivel de línea o de micrófono. Asegúrese de que el nivel de salida coincide con el nivel de entrada del dispositivo que está conectado al SCM410.

NOTA: El nivel de salida no afecta el nivel de la salida auxiliar (AUX OUT).

Limitador: Activa el limitador de salida y lo ajusta a un umbral predefinido de +16 dBu (consulte el suplemento *Modificaciones internas* para ver otros valores umbrales).

Potencia fantasma de 12 V: Cuando este interruptor se encuentra en la posición encendido, el SCM410 suministra una alimentación fantasma de 12 VCC a cada entrada XLR de micrófono. Esta función resulta particularmente útil cuando se utilizan micrófonos de condensador, puesto que la mayor parte de estos micrófonos requieren potencia fantasma

NOTA: La potencia fantasma no afecta el funcionamiento de los micrófonos dinámicos equilibrados. Estos pueden conectarse a la SCM410 junto con los micrófonos de condensador que utilizan potencia fantasma. Si desea consultar las instrucciones que debe seguir para desactivar la potencia fantasma por canales, consulte el suplemento "Modificaciones internas".

INSTALACION

TORNILLERIA INCLUIDA

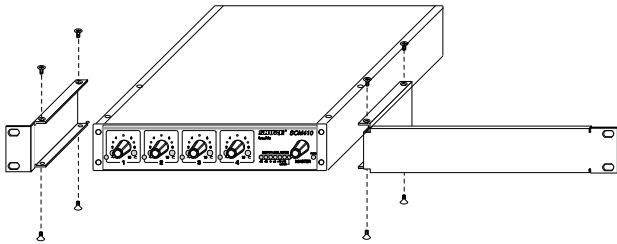
- 4 pies de caucho
- 1 escuadra larga para montaje en bastidor
- 1 escuadra corta para montaje en bastidor
- 2 escuadras de empalme
- 10 tornillos de escuadra de 6 mm
- 4 tornillos de bastidor de 2,54 cm
- 4 arandelas de plástico
- 4 tornillos para madera de 1,25 cm

MONTAJE EN BASTIDOR

La SCM410 se suministra con tornillería para montar una o dos unidades en un bastidor de 19 pulgadas para equipos de audio. La tornillería también puede utilizarse para el montaje en bastidor de otros productos de Shure, incluidos los modelos SCM268, SCM262, DFR11EQ y DP11EQ.

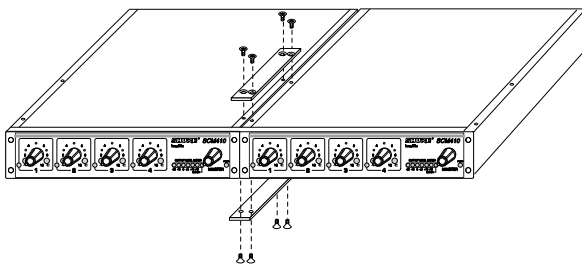
INSTALACIÓN DE UNA SOLA CONSOLA MEZCLADORA (MEDIA POSICIÓN DE BASTIDOR):

1. Instale las escuadras corta y larga de montaje en bastidor en la SCM410/E usando ocho (8) de los tornillos de escuadra provistos, tal como se muestra en la Figura 4.



INSTALACION DE LAS ESCUADRAS DE MONTAJE EN MEDIA POSICION DE BASTIDOR
FIGURA 4

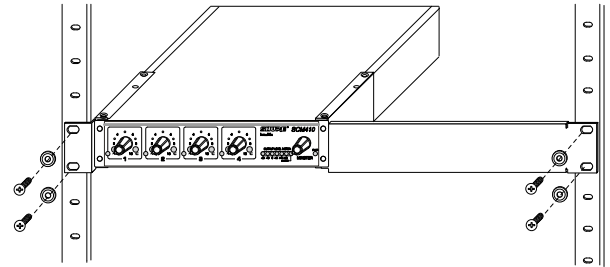
2. Sitúe la consola mezcladora en un bastidor de equipo y fijela con los tornillos de bastidor y las arandelas de plástico que se suministran. Consulte la Figura 5.



MONTAJE EN BASTIDOR DE UNA CONSOLA MEZCLADORA SCM410/E
FIGURA 5

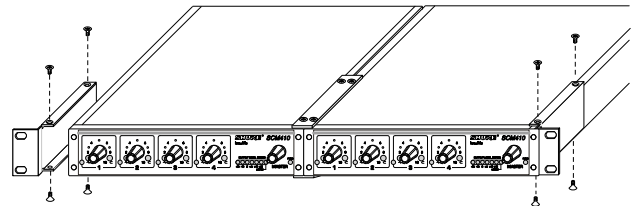
INSTALACIÓN DE DOS CONSOLAS MEZCLADORAS (UNA POSICIÓN DE BASTIDOR):

1. Sitúe las dos consolas mezcladoras una junto a la otra y conéctelas con dos (2) escuadras de empalme. Las escuadras deberán quedar traslapadas en los bordes hendidos de las partes superior e inferior de cada una de las consolas mezcladoras. Consulte la Figura 6.



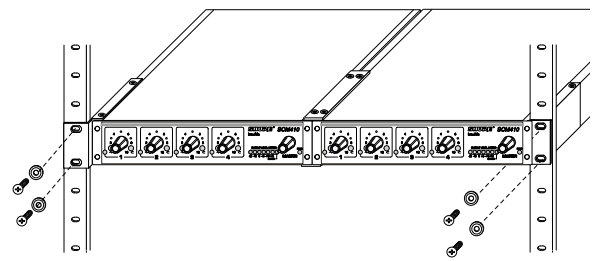
INSTALACION DE LAS ESCUADRAS DE EMPALME
FIGURA 6

2. Fije las escuadras de empalme usando ocho (8) tornillos de escuadra.
3. Fije las escuadras cortas de montaje en bastidor a los costados exteriores de las dos consolas mezcladoras combinadas usando ocho (8) de los tornillos de escuadra. Consulte la Figura 7.



INSTALACION DE LAS ESCUADRAS DE MONTAJE EN UNA POSICION DE BASTIDOR
FIGURA 7

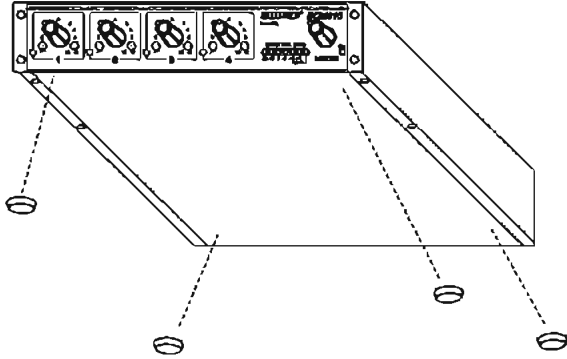
4. Posizionate il mixer nel rack e fissatelo con le apposite viti e rondelle di plastica in dotazione. Vedi Figura 8.



MONTAJE EN BASTIDOR DE DOS CONSOLAS MEZCLADORAS SCM410/E
FIGURA 8

MONTAJE EN MESA

Adhiera los cuatro (4) pies de caucho suministrados en las esquinas de la parte inferior de la consola mezcladora tal como se muestra en la Figura 9. Esto impedirá que ésta se deslice y protegerá la superficie de la mesa.

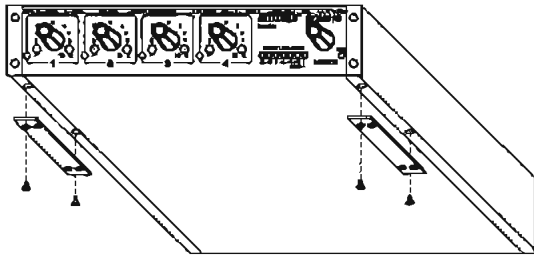


ADHESION DE LOS PIES DE CAUCHO PARA EL MONTAJE EN MESA
FIGURA 9

MONTAJE FIJO

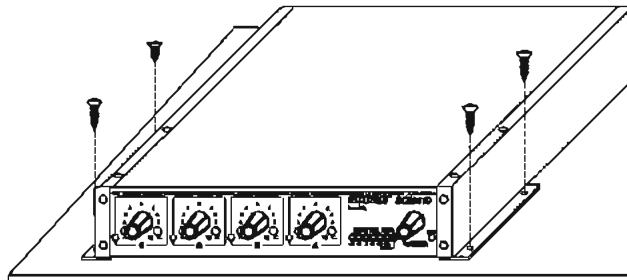
MONTAJE EN SUPERFICIE

1. Instale las escuadras de empalme en los bordes hendidos de la caja de la unidad usando cuatro (4) tornillos de escuadra, tal como se muestra en la Figura 10.



INSTALACION DE LAS ESCUADRAS DE EMPALME PARA EL MONTAJE EN SUPERFICIE
FIGURA 10

2. Fije las escuadras de empalme a la parte superior de la superficie de montaje usando los cuatro (4) tornillos para madera suministrados. Consulte la Figura 11.

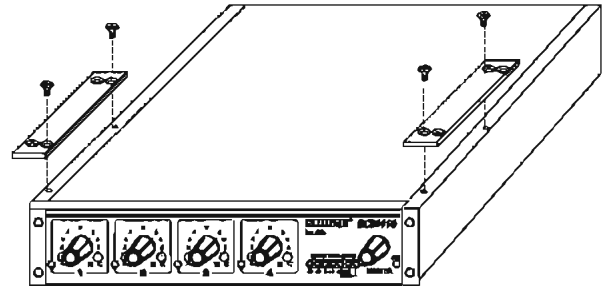


FIJACION DE LA CONSOLA MEZCLADORA A LA SUPERFICIE DE MONTAJE SUPERIOR
FIGURA 11

MONTAJE EN PARTE INFERIOR

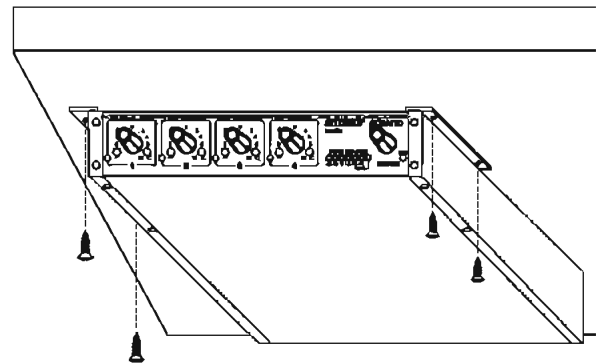
Nota: La tomillería provista es para fijar la unidad a madera. En otras superficies se requiere usar tomillería adecuada con capacidad de 7 kg (15 lb) o más.

1. Fije las escuadras de empalme a la parte superior de la consola mezcladora, tal como se muestra en la Figura 12.



INSTALACION DE LAS ESCUADRAS DE EMPALME PARA EL MONTAJE EN PARTE INFERIOR
FIGURA 12

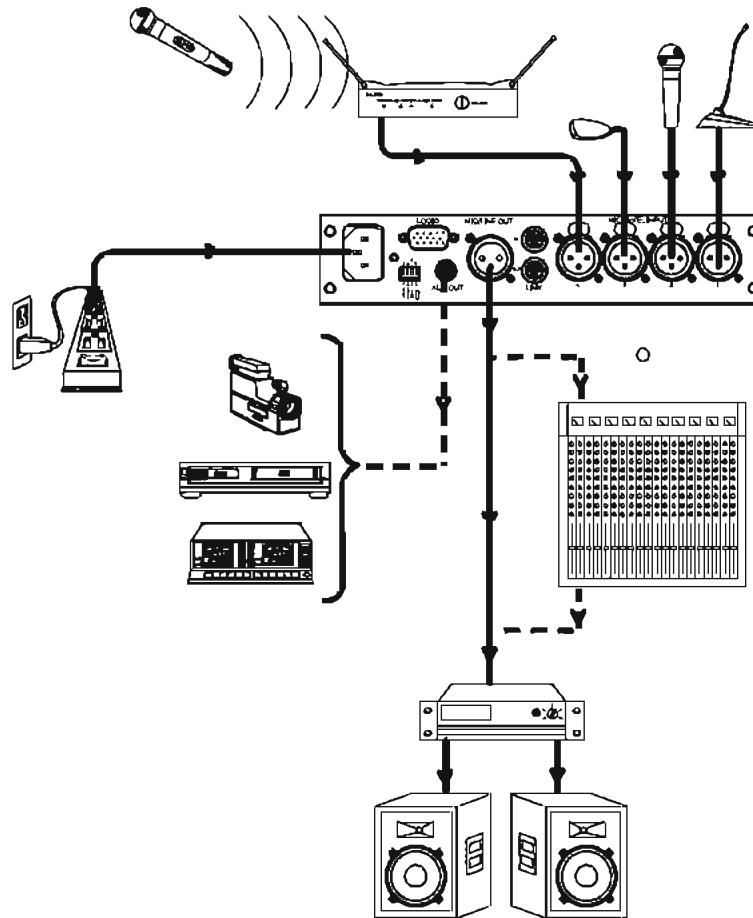
2. Fije las escuadras de empalme a la parte inferior de la superficie de montaje usando los cuatro (4) tornillos para madera suministrados. Consulte la Figura 13.



FIJACION DE LA CONSOLA MEZCLADORA A LA SUPERFICIE DE MONTAJE INFERIOR
FIGURA 13

CONEXIONES DE LA SCM410

1. Conecte las fuentes de señal de micrófono a los conectores de entrada del canal tal como se muestra en la Figura 14. Utilice cables blindados de audio de 2 conductores.
2. Si hay micrófonos de condensador conectados, coloque el interruptor DIP de potencia fantasma de +12V en la posición encendido.
3. Conecte la salida de micrófono/línea de la SCM410 a la entrada de las consolas mezcladoras, los ecualizadores, los amplificadores o las grabadoras.
4. Conecte el cable de alimentación a la fuente de 100-120 VCA (SCM410) o a la de 220-240 VCA (SCM410E).



CONEXIONES DE LA SCM410
FIGURA 14

ENLACE DE VARIAS CONSOLAS MEZCLADORAS

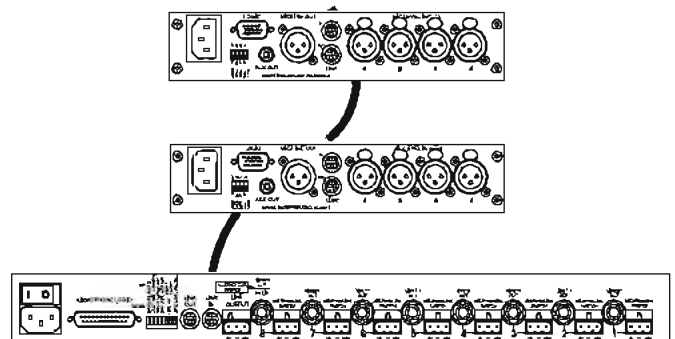
Si se necesitan más de cuatro entradas, es posible enlazar varias consolas mezcladoras de los modelos SCM410 o SCM810 de Shure conectando la salida LINK OUT de la primera consola mezcladora con la entrada LINK IN de la consola mezcladora siguiente, y así sucesivamente, tal como se muestra en la Figura 15. Deje sin conectar el jack LINK IN de la *primera* consola mezcladora y el jack LINK OUT de la *última* consola.

Si están enlazadas correctamente, las consolas mezcladoras funcionarán como un solo sistema. Las funciones de mezcla automática serán compartidas por todas las unidades. Todas las señales de entrada aparecen en las salidas de todas las consolas enlazadas. El control de nivel maestro de cada consola afecta únicamente a su propia señal de salida. No obstante, el nivel de atenuación aumentará a medida que se enlacen más consolas mezcladoras. Esto reduce los niveles de ruido y reverberación producidos al aumentar la cantidad de micrófonos.

IMPORTANTE: Si usa los bomes lógicos en consolas mezcladoras enlazadas, conecte entre sí los bomes de TIERRA LÓGICA de cada una de las unidades.

NOTA: Las conexiones de enlace de la SCM410 no están equilibradas. Para reducir al mínimo los ruidos y los zumbidos, procure no utilizar

cables de enlace largos. Utilice cables blindados de alta calidad y mantenga los cables alejados de fuentes de ruidos magnéticos o eléctricos, tales como los transformadores de potencia grandes o los atenuadores de luces. Para reducir al mínimo las corrientes de tierra, asegúrese de que todas las consolas mezcladoras están conectadas a la misma fuente de alimentación de CA.



CONSOLAS MEZCLADORAS SCM410 Y SCM810 ENLAZADAS

FUNCIONAMIENTO BASICO DE LA CONSOLA MEZCLADORA

1. Ajuste el nivel de cada canal de modo que su LED de limitación destelle únicamente cuando la voz o el ruido sean muy intensos.
2. Ajuste los controles de atenuación de frecuencias bajas y de frecuencias altas que están junto al control de ganancia de entrada

de cada canal para hacer que los micrófonos tengan un sonido similar.

3. Ajuste el control de nivel maestro (MASTER) para obtener el nivel de salida deseado, según lo indica el medidor de nivel correspondiente. La SCM410 quedará lista para ser utilizada.

LIMITADOR

Los limitadores de salida evitan la distorsión causada por sonidos intensos sin afectar a las señales de intensidad normal. Esto impide que se produzca una sobrecarga en los dispositivos conectados a la salida de la SCM410. Al aumentar el ajuste de los controles de cada canal individual o el control maestro de la SCM410, aumentará el nivel promedio de la señal de salida y, a su vez, la cantidad de limitación.

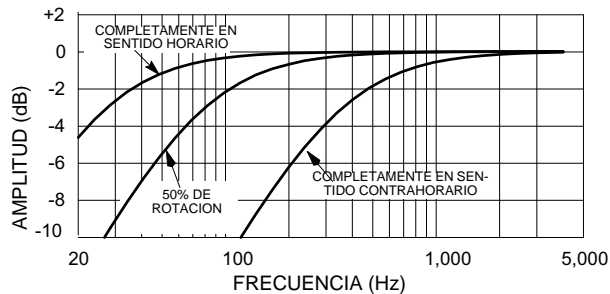
El limitador puede activarse a través del interruptor DIP del panel trasero. El umbral por omisión del limitador es de +16 dBu. La unidad se suministra con el limitador desactivado.

NOTA: Es posible cambiar los ajustes de fábrica de los umbrales del limitador. Consulte el suplemento *Modificaciones Internas*.

FUNCIONES DEL ECUALIZADOR

FILTRO DE ATENUACIÓN DE BAJOS (PASAALTOS)

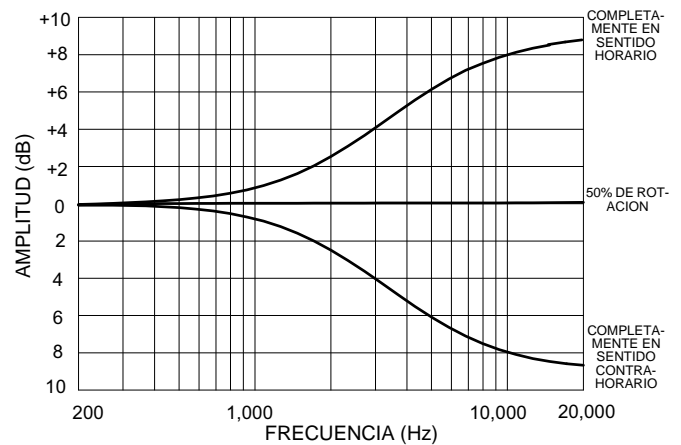
Los filtros de atenuación de bajos se usan para reducir los sonidos de baja frecuencia no deseados, tales como los pasos de una persona o el ruido del tráfico, así como también para controlar el efecto de la proximidad. La SCM410 tiene un filtro de atenuación de bajos de un polo (pasaaltos) de 6 dB por octava. El filtro de atenuación de bajos permite que todas las frecuencias que se encuentren por encima de su frecuencia de corte pasen de la entrada a la salida sin experimentar cambios. Las frecuencias que son inferiores a la de corte se atenúan (consulte la Figura 16). La frecuencia de corte se define como aquella en la cual una señal recibe una atenuación de 3 dB respecto a una señal cuya frecuencia corresponde a la banda de paso, o de respuesta plana. Las señales con frecuencias menores que la de corte reciben una atenuación que aumenta según disminuye la frecuencia.



EFFECTOS DE FILTRO DE ATENUACION DE BAJOS
FIGURA 16

LIMITACIÓN DE FRECUENCIAS ALTAS

El ecualizador de frecuencia fja produce una amplificación o atenuación de 6 dB a frecuencias iguales o mayores a 5 kHz (consulte la Figura 17). La función de limitación de altas frecuencias es extremadamente útil para amplificar la respuesta de frecuencia uniforme, controlar micrófonos vocales extremadamente sibilantes o mejorar el sonido de micrófonos de corbata cuya orientación no es la óptima.



EFFECTOS DE FILTRO LIMITADOR DE ALTAS FRECUENCIAS
FIGURA 17

ESPECIFICACIONES

Condiciones de medición (salvo indicación contraria): Voltaje de alimentación de 120 VCA, 60 Hz (SCM410) o de 230 VCA, 50 Hz (SCM410E); ganancia máxima; por una señal de 1 kHz, un canal activado; impedancias de fuente: Mic 150 Ω; conexiones finales: Línea/Micrófono Auxiliar 10 kΩ

Respuesta de frecuencia (Referida a 1 kHz, controles de canales en posición central)

50 Hz a 20 kHz ±2 dB; - frecuencia de corte de -3 dB a 25 Hz

Ganancia de voltaje (típica, controles completamente en sentido horario)

Entrada	Salida		
	Línea	Micrófono	Aux
Micrófono de baja impedancia (150 Ω)	80 dB	40 dB	68 dB

Entradas

Entrada	Impedancia		Nivel de limitación de entrada
	Diseñado para uso con	Real (típica)	
Micrófono	19-600 Ω	1,4 kΩ	-14 dBV

Salidas

Salida	Impedancia		Nivel de limitación de salida
	Diseñado para uso con	Real (típica)	
Línea	≥5k Ω	300 Ω	+22 dBV
Micrófono	≥600 Ω	3 Ω	-20 dBV
Aux	≥10k Ω	1,5 k Ω	+12 dBV

Distorsión armónica total

< 0,1% con nivel de salida a +4 dBu, 50 Hz a 20 kHz (a través de filtro de 22 Hz — 22 kHz; entrada a posición de las 12 horas y control maestro a la posición de las 12 horas, demás controles completamente en sentido contrahorario)

Ruido de entrada equivalente (fuente de 150 Ω; Con ponderación A)

-127 dBV máximo, -129 dBV típico

Ruido de salida (Controles de canales completamente en sentido contrahorario, con ponderación A)

Master completamente en sentido contrahorario: -101 dBV
Master completamente en sentido horario: -67 dBV

Rechazo en modo común

>70 dB a 1 kHz

Polaridad

El trayecto de todas las entradas a todas las salidas no invierte la señal.

Activación de canal de entrada

Tiempo de acometida: 4 ms
Tiempo de espera: 0,4 s
Tiempo de extinción: 0,5 s

Atenuación de micrófono inactivo

13 dB

Protección contra sobrecargas y cortocircuitos

El poner las salidas en cortocircuito, aun por lapsos prolongados, no causa daño alguno. Las entradas de micrófonos no sufren daños al recibir señales de hasta +10 dBV (3V)

Ecuilibración

Frecuencias bajas: Atenuación de 6 dB/octava, frecuencia de corte ajustable de 25 a 320 Hz
Frecuencias altas: ±6 dB a 5 kHz, ±8 dB a 10 kHz, con limitador

Limitador

Tipo: De picos
Umbral: +16 dBu (a la salida)
Tiempo de acometida: 2 ms
Tiempo de recuperación: 300 ms
Indicador: Se ilumina en rojo cuando hay limitación

LED de entrada

Se iluminan en verde al activarse el canal y en rojo a 6 dB por debajo del umbral de limitación

Potencia fantasma

12 VCC en circuito abierto con resistencia de 680 Ω

Voltaje de funcionamiento

SCM410: 100-120 VCA nominal, 50/60 Hz, 100 mA (máximo)
SCM410E: 220-240 VCA nominal, 50/60 Hz, 50 mA (máximo)

Corriente de entrada de la red (230 VCA, sólo SMC410E)

0,7 A máximo

Gama de temperatura

Funcionamiento: -7° a 49°C
Almacenamiento: -29° a 74°C

Dimensiones totales

Al 44 mm x An 219 mm x Pr 267 mm

Peso neto

1,75 kg

Certificaciones

SCM410: HOMOLOGADO por UL según la norma UL 60065 y por cUL según la norma CAN/CSA-C22.2 No. 60065-3 de Canadá.
SCM410E: Cumple con las directrices aplicables de la Unión Europea. Directriz de voltaje bajo de la Unión Europea 2006/95/EC: Certificación según la norma EN 60065. Califica para llevar las marcas CE. Directriz de compatibilidad electromagnética (EMC) de la Unión Europea 2004/108/EC: Satisface las normas armonizadas EN55103-1:1996 y EN55103-2:1996 para uso residencial (E1) e industrial ligero (E2).

Conforma con las normas de la Regulación EC No. 1275/2008, según la enmienda prevista.

La Declaración de homologación para CE puede obtenerse de Shure, Incorporated o a través de cualquiera de sus representantes europeos. Parala información de contacto, por favor visite www.shure.com
La Declaración de homologación para CE puede obtenerse de: www.shure.com/europe/compliance

Representante autorizado en Europa:

Shure Europe GmbH
Casa matriz para Europa, Medio Oriente y Africa
Aprobación para región de EMEA
Jakob-Dieffenbacher-Str. 12
75031 Eppingen, Alemania
Teléfono: 49-7262-92 49 0
Fax: 49-7262-92 49 11 4
Correo electrónico: info@shure.de

REPUESTOS

Perilla, maestro (blanco).....	95A8238
Perilla, ganancia del canal (azul)	95B8238
Cable de alimentación (SCM410)	95B8389
Cable de alimentación (SCM410E).....	95B8778
Cable de enlace	95B8889
Fusible, SCM410 (5 x 20 mm, T 125mA L, 250V, con retardo).....	80AA730
Fusible, SCM410E (5 x 20 mm, T 50mA L, 250V, con retardo).....	80J380
Escuadra larga para montaje en bastidor	53A8484
Escuadra corta para montaje en bastidor	53E8484
Escuadra de empalme	53B8443
Juego de tornillería embalado.....	90AW8100

Accesorios opcionales

Cable de alimentación, 230-240 VCA (R.U.)	95A8713
Atenuador de la línea externa a 50 dB	A15LA

Declaración de servicio

Para información adicional acerca del servicio o repuestos, llame al Departamento de servicio Shure al teléfono 1-847-600-8699. Fuera de los EE.UU., llame al servicentro autorizado de productos Shure.

FUNCIONES AVANZADAS

ATENCIÓN: El uso de las funciones avanzadas sólo está recomendado para técnicos de sonido calificados.

ESPECIFICACIONES DE CONEXIONES LOGICAS

Las funciones lógicas de la SCM410 amplían la gama de alternativas de instalación y de control de la consola mezcladora. Las funciones lógicas pueden usarse para todo tipo de funciones, desde botones silenciadores hasta sistemas de sala sofisticados controlados por computadora. (El boletín *AMS Update* de Shure contiene aplicaciones adicionales para los circuitos lógicos de funciones avanzadas. Esta publicación puede obtenerse poniéndose en contacto con el Departamento de Aplicaciones de Shure.) Las funciones lógicas siguientes se ofrecen para cada canal:

SALIDA DE COMPUERTA: Sigue la activación de la compuerta de cada canal y pasa a nivel "bajo" (consume corriente) cuando el micrófono se activa. Tiene capacidad de consumir hasta 500 mA (consulte la Figura 18A).

ENTRADA DE SILENCIAMIENTO: Si se aplica un nivel "bajo" lógico (desde la SALIDA DE COMPUERTA o conectando un interruptor en tierra lógica), se desactivará la compuerta de un canal (consulte la Figura 18B). La señal de salida del canal desciende a $-\infty$.

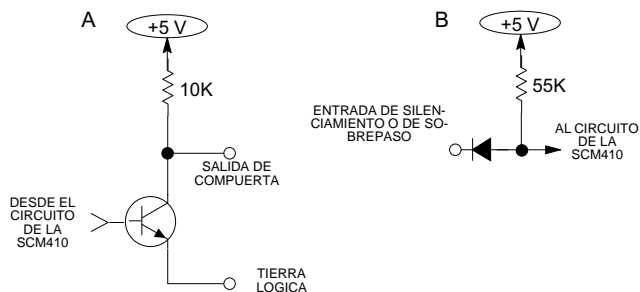
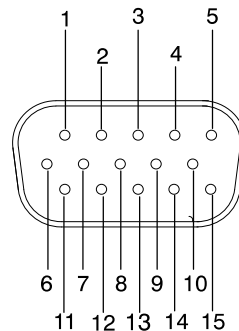


DIAGRAMA DE CIRCUITOS LOGICOS EQUIVALENTES
FIGURA 18

ENTRADA DE SOBREPASO: Si se aplica un nivel "bajo" lógico (desde la SALIDA DE COMPUERTA o conectando un interruptor en tierra lógica), se fuerza la activación de un canal (consulte la Figura 18B). Si se activan las señales de silenciamiento y de sobrepaso al mismo tiempo, la señal de silenciamiento tiene precedencia (consulte el suplemento *Modificaciones internas* para darle precedencia a la señal de sobrepaso).

TIERRA LOGICA: La tierra lógica es diferente a la tierra de audio. Haga todas las conexiones de tierra lógica en esta clavija, incluyendo la tierra de la fuente de alimentación de los circuitos lógicos externos. Para evitar los ruidos de conmutación, *no* conecte la tierra lógica a las tierras de audio, de la caja o del bastidor.

El acceso a los controles lógicos se obtiene a través del conector multiclavija DB-15 situado en el panel trasero (Figura 19). La conexión de las clavijas se muestra en la tabla siguiente.



CONECTOR LOGICO
FIGURA 19

CONEXIONES LOGICAS

N de clavija	Función lógica	Función lógica	N de clavija
1	ENTRADA DE SOBREPASO 1	SALIDA DE COMPUERTA 1	6
2	ENTRADA DE SOBREPASO 2	SALIDA DE COMPUERTA 2	7
3	ENTRADA DE SOBREPASO 3	SALIDA DE COMPUERTA 3	8
4	SALIDA DE COMPUERTA 4	SALIDA DE COMPUERTA 4	4
5	TIERRA LOGICA	ENTRADA DE SOBREPASO 1	1
6	SALIDA DE COMPUERTA 1	ENTRADA DE SOBREPASO 2	2
7	SALIDA DE COMPUERTA 2	ENTRADA DE SOBREPASO 3	3
8	SALIDA DE COMPUERTA 3	ENTRADA DE SOBREPASO 4	14
9	SIN CONEXION	ENTRADA DE SILENCIAMIENTO 1	11
10	ENTRADA DE SILENCIAMIENTO 4	ENTRADA DE SILENCIAMIENTO 2	12
11	ENTRADA DE SILENCIAMIENTO 1	ENTRADA DE SILENCIAMIENTO 3	13
12	ENTRADA DE SILENCIAMIENTO 2	ENTRADA DE SILENCIAMIENTO 4	10
13	ENTRADA DE SILENCIAMIENTO 3	TIERRA LOGICA	5
14	ENTRADA DE SOBREPASO 4	SIN CONEXION	15
15	SIN CONEXION	SIN CONEXION	9

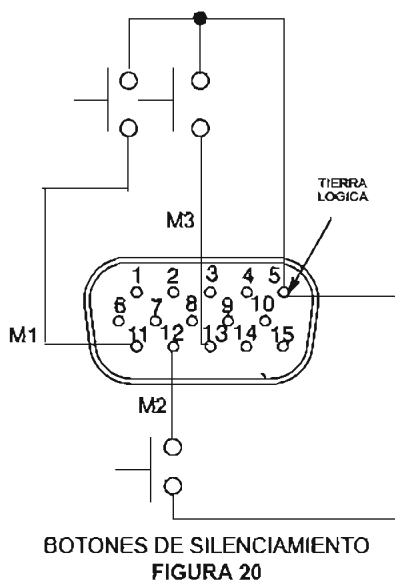
USOS SUGERIDOS DE FUNCIONES LÓGICAS

La presente sección ofrece sugerencias de uso de las funciones lógicas de la SCM410. Obsérvese que los usos de estas funciones no se limitan a los que aquí se sugieren. Las únicas limitaciones son la

imaginación y creatividad del usuario. Para sugerencias y soluciones adicionales a problemas de instalación, póngase en contacto con el Departamento de Aplicaciones de Shure.

BOTÓN DE SILENCIAMIENTO

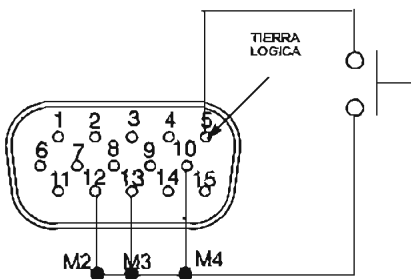
El interlocutor puede desactivar su micrófono para toser o para conversar de modo privado si se instala un botón de un polo y una vía entre la ENTRADA DE SILENCIAMIENTO y las clavijas de tierra lógica de cada uno de los canales que se desea modificar (consulte la Figura 20). Cuando se silencia un canal, éste no reproduce sonido alguno. (Consulte el apartado *Anulación de zona muerta de ENTRADA DE SILENCIAMIENTO* en el suplemento *Modificaciones internas* para obtener información adicional en cuanto a las funciones de la ENTRADA DE SILENCIAMIENTO.)



SILENCIAMIENTO CONTROLADO POR MODERADOR

Mediante la activación de un botón, el moderador puede silenciar los demás micrófonos y ser escuchado sin interrupción. Para utilizar esta función, conecte todas las clavijas de ENTRADA DE SILENCIAMIENTO entre sí *salvo la del canal del micrófono usado por el moderador* y conecte un botón o interruptor de un polo y una vía entre esas clavijas de ENTRADA DE SILENCIAMIENTO y la clavija de tierra lógica (consulte la Figura 21).

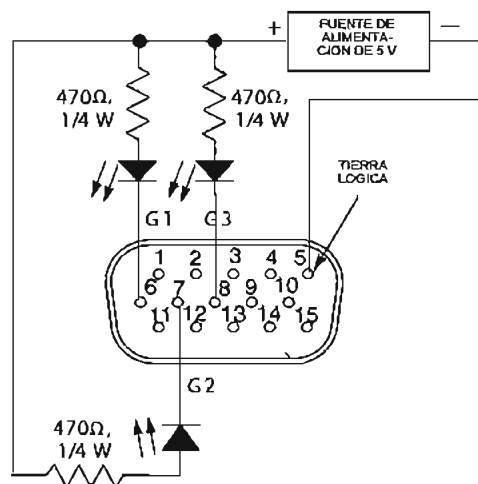
Como configuración alternativa, en lugar de usar un interruptor se puede conectar la clavija SALIDA DE COMPUERTA del moderador a las clavijas ENTRADA DE SILENCIAMIENTO de los demás canales. Cuando el micrófono del moderador se activa, los demás micrófonos quedan silenciados.



INDICADORES REMOTOS DE CANALES ACTIVADOS

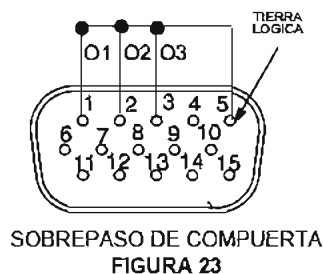
Los indicadores remotos pueden usarse para indicar los micrófonos que están activados. Conecte los LED y una fuente de 5 voltios a las clavijas SALIDA DE COMPUERTA (consulte la Figura 22). Para evitar la producción de chasquidos de conmutación en la salida de audio, *no* conecte el borne negativo de la fuente de alimentación a la tierra del sistema de audio o del bastidor.

IMPORTANTE: Si se usa un solo cable para conducir la señal de audio del micrófono y la alimentación CC para los LED, éste **deberá** tener pares blindados separados. Si no se conduce la alimentación CC en un par con blindaje, posiblemente se escucharán chasquidos en la señal de audio debido al acoplamiento capacitivo que se produce entre los conductores de alimentación CC y los conductores de audio del micrófono.



DESACTIVACIÓN DE FUNCIÓN DE COMPUERTA (SOBREPASO)

Si se desea mantener algunos micrófonos constantemente activados, conecte las clavijas ENTRADA DE SOBREPASO de los canales correspondientes a la clavija de tierra lógica. Los canales elegidos funcionan como si estuvieran conectados a una consola mezcladora no automática (consulte la Figura 23). Para efectuar esta modificación internamente en la consola mezcladora, consulte el apartado *Puesta en cortocircuito interno de la entrada de sobrepaso con tierra lógica* de el suplemento *Modificaciones internas*.



DESACTIVACIÓN DE COMPUERTA PARA EVITAR LA CAPTACIÓN DE SONIDOS NO DESEADOS

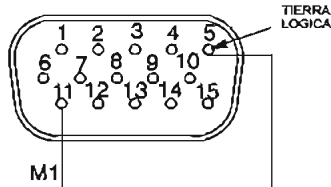
El sistema MaxBus intenta activar sólo un micrófono por cada fuente sonora. Si se silencia un canal de micrófono, se impide que su señal de audio aparezca en la salida de la consola mezcladora. Sin embargo, el micrófono silenciado sigue comunicándose con los canales de los demás micrófonos a través de MaxBus. Una fuente sonora captada por el micrófono silenciado no activa otros micrófonos.

Las fuentes sonoras que pueden causar la activación no deseada del canal de micrófono son:

- Sistemas de calefacción, ventilación y aire acondicionado
- Una máquina de fax o impresora ruidosa
- Una puerta ruidosa
- Un altavoz del sistema buscapersonas
- Un altavoz de retomo de un sistema de conferencia telefónica

La SCM410 puede evitar que sonidos como éstos activen los micrófonos si se procede tal como se indica a continuación:

1. Coloque un micrófono cerca de la fuente sonora no deseada. Conecte la señal de ese micrófono a la entrada de un canal. -o- conecte la fuente sonora no deseada directamente en la entrada de un canal.
2. Silencie ese canal usando el borne lógico (consulte la Figura 24). Para efectuar esta modificación internamente en la consola mezcladora, consulte el apartado Puesta en cortocircuito interno de la entrada de silenciamiento con tierra lógica de el suplemento Modificaciones internas.
3. Ajuste el control de ganancia del canal a un nivel tal que los demás micrófonos del sistema no se activen cuando se produzca el sonido no deseado. Si la ganancia del canal se ajusta a un nivel muy alto, es posible que los micrófonos no se activen cuando se produzcan los sonidos deseados. Si se ajusta a un nivel muy bajo, los sonidos no deseados podrán activar otros micrófonos.

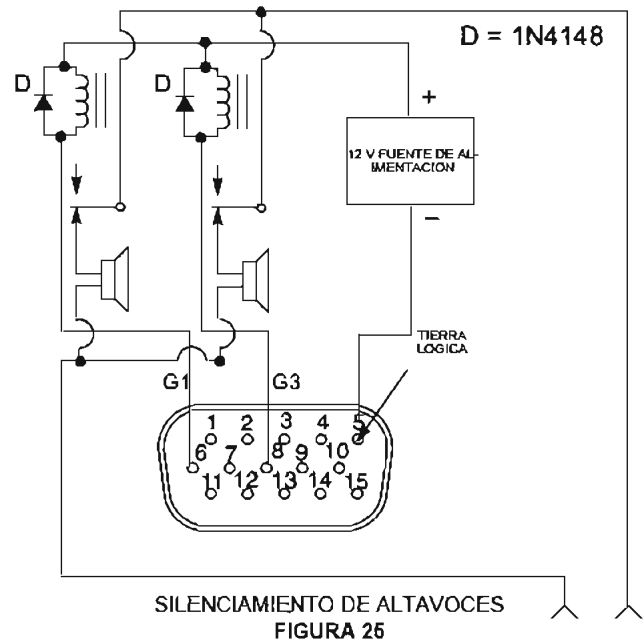


DESACTIVACION DE COMPUERTA PARA EVITAR LA CAPTACION DE SONIDOS NO DESEADOS
FIGURA 24

SILENCIAMIENTO DE ALTAVOCES

En algunos casos se necesita tener un altavoz próximo a cada interlocutor para ofrecer refuerzo al sonido, para facilitar una conversación telefónica o para escuchar una teleconferencia. Cada altavoz puede provocar realimentación a menos que se desconecte automáticamente cuando el interlocutor que está junto a dicho altavoz empieza a hablar. Para habilitar esta función, conecte la clavija SALIDA DE COMPUERTA de cada canal a un relé silenciador de altavoz separado (consulte la Figura 25). Se recomienda usar los relés Radio Shack 275-248, Omron G2R-14-DC12 (Nº de pieza Digi-Key Z745-ND), Potter & Brumfield R10-E1Y2-V185 (Nº de pieza Newark 45F106), o uno equivalente.

NOTA: Es necesario instalar un diodo en paralelo con la bobina del relé para eliminar los picos de voltaje inducido que podrían dañar la consola SCM410.



La SCM410 permite utilizar conjuntamente un sistema de sonido existente que utilice relés de 24 V sin necesidad de modificar éste, siempre y cuando la bobina del relé consuma menos de 500 mA.

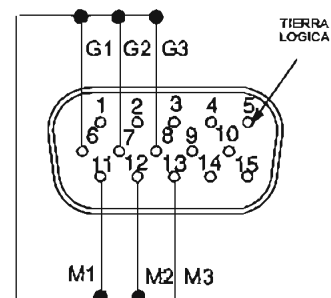
MODO DE INTERVENCIÓN EXCLUSIVA

Por regla general, cuando varios participantes hablan, cada uno de los micrófonos se activa para evitar la pérdida de palabras. En el modo de intervención exclusiva, el micrófono permanece activo hasta que el interlocutor realiza una pausa suficientemente larga para que dicho micrófono se desactive. Ningún otro micrófono puede activarse hasta que se desactive el primero. Esto evita que los interlocutores sean interrumpidos.

Para habilitar el modo de intervención exclusiva, consulte la Figura 26 y proceda tal como se indica a continuación:

1. Efectúe la **modificación** interna de Cambio de entrada de silenciamiento a **inhibir** tal como se indica en el suplemento Modificaciones internas.
2. Conecte todas las clavijas de ENTRADA DE SILENCIAMIENTO entre sí en el canal modificado.
3. Conecte todas las clavijas de SALIDA DE COMPUERTA entre sí en los canales modificados.
4. Conecte la SALIDA DE COMPUERTA de uno de los canales modificados a la ENTRADA DE SILENCIAMIENTO de otro de los canales modificados.
5. Coloque el interruptor Last Mic Lock-On (enclavamiento del último micrófono activado) en la posición apagado.

NOTA: Para evitar la producción de oscilaciones de alta frecuencia, no conecte la SALIDA DE COMPUERTA de un canal a la ENTRADA DE SILENCIAMIENTO del mismo canal a menos que se haya efectuado primero el *Cambio de entrada de silenciamiento a inhibir*.



MODO DE INTERVENCIÓN EXCLUSIVA
FIGURA 26

FUNCIÓN DE INHIBIR

Para obtener información sobre la función de inhibir, consulte el suplemento *Modificaciones internas*.

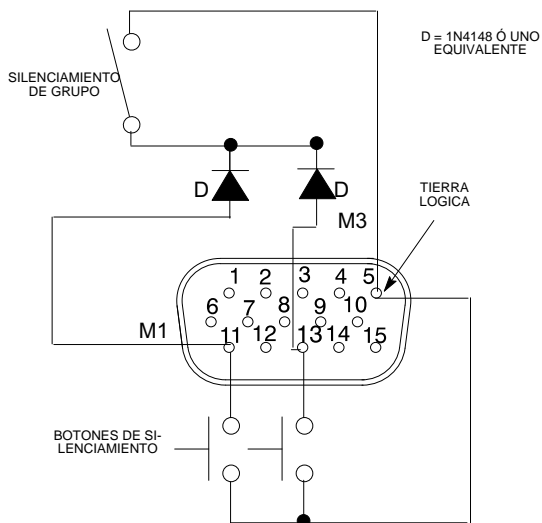
CONTROL REMOTO DEL VOLUMEN

El nivel de la salida auxiliar o maestra puede controlarse desde un VCA (amplificador controlado por voltaje) externo, como el RU-VCA1 de Radio Design Labs (Tel. 1-800-281-2683 (dentro de los EE.UU.) o www.rdl.net.com). Para conectar un VCA a la SCM410, proceda tal como se indica a continuación:

1. Conecte la salida de línea de la SCM410 a la entrada de línea del VCA.
2. Conecte la salida de línea del VCA al dispositivo externo.
3. Para el control remoto del nivel maestro, establezca el control maestro de la SCM410 a 5.

AISLAMIENTO DE CONTROLES LÓGICOS CON DIODOS

Dos o más funciones de control que utilizan las mismas clavijas lógicas pueden aislarse con diodos, tal como se muestra en la Figura 27. Al realizar esta modificación, se puede silenciar un canal por medio de un interruptor de silenciamiento de grupo o por medio de su propio botón de silenciamiento.

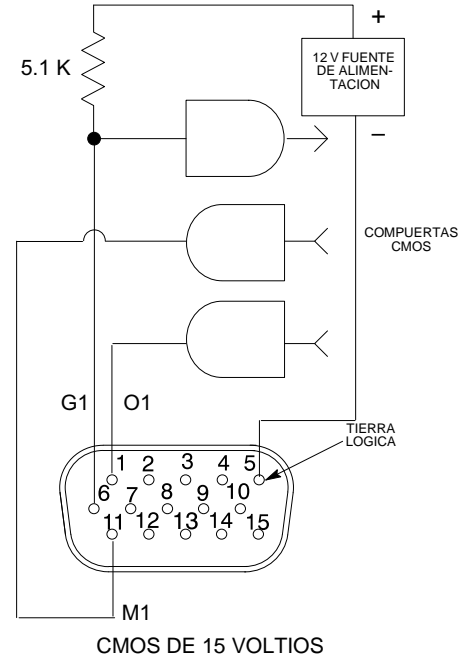


AISLAMIENTO DE BORNES LÓGICOS CON DIODOS
FIGURA 27

DISPOSITIVOS LÓGICOS EXTERNOS

Los niveles lógicos de la SCM410 son directamente compatibles con las familias de dispositivos lógicos TTL y CMOS de 5 voltios. Las funciones lógicas de la consola mezcladora pueden usarse con dispositivos lógicos CMOS de 15 V si se utiliza una resistencia de acoplamiento a positivo en cada salida de COMPUERTA. Consulte la Figura 28.

NOTA: Para más información en cuanto al uso de compuertas lógicas, consulte los textos *TTL Cookbook* y *CMOS Cookbook*, ambos publicados por D. Lancaster, Howard Sams Publishing Co.



CMOS DE 15 VOLTIOS
FIGURA 28

CONTROLES DIGITALES O MICROCOMPUTADORAS

Las clavijas lógicas de la SCM410 pueden conectarse a circuitos de control digital de diseño especial o a microcomputadores para ofrecer una gama ilimitada de funciones de control del sistema.

INDICE

DESCRIZIONE	51
CARATTERISTICHE	51
PRINCIPI DI FUNZIONAMENTO	51
PANNELLO ANTERIORE	51
PANNELLO POSTERIORE	52
FUNZIONI DELL'INTERRUTTORE DIP	52
INSTALLAZIONE	53
ELEMENTI DI FISSAGGIO IN DOTAZIONE	53
MONTAGGIO SU RACK	53
MONTAGGIO SU RIPIANO	54
MONTAGGIO FISSO	54
COLLEGAMENTI DEL MODELLO SCM410	55
COLLEGAMENTO DI PIÙ MIXER	55
FUNZIONAMENTO DI BASE DEL MIXER	56
LIMITATORE	56
FUNZIONI DELL'EQUALIZZATORE	56
DATI TECNICI	57
FUNZIONI AVANZATE	58
DATI TECNICI DEL COLLEGAMENTO DEI CIRCUITI LOGICI	58
APPLICAZIONI SUGGERITE PER I CIRCUITI LOGICI	59




Questo simbolo indica la presenza di alta tensione all'interno dell'apparecchio, che comporta il rischio di folgorazione.



Questo simbolo indica la presenza di istruzioni importanti per l'uso e la manutenzione nella documentazione in dotazione all'apparecchio.

AVVERTENZA: le tensioni all'interno di questo apparecchio possono essere letali. L'apparecchio non contiene parti che possono essere riparate dall'utente. Per qualsiasi intervento, rivolgetevi a personale di assistenza qualificato. Le certificazioni di sicurezza non sono valide se si cambia la tensione di funzionamento rispetto al valore prefissato in fabbrica.

! ISTRUZIONI IMPORTANTI PER LA SICUREZZA !

1. LEGGETE queste istruzioni.
2. CONSERVATE queste istruzioni
3. OSSERVATE tutte le avvertenze.
4. SEGUITE tutte le istruzioni.
5. NON usate questo apparecchio vicino all'acqua.
6. PULITE l'apparecchio SOLO con un panno asciutto
7. NON ostruite alcuna apertura per l'aria di raffreddamento. Installate l'apparecchio seguendo le istruzioni del costruttore.
8. NON installate l'apparecchio accanto a fonti di calore quali radiatori, aperture per l'efflusso di aria calda, fomi o altri apparecchi (amplificatori inclusi) che generino calore.
9. NON modificate la spina polarizzata o con spinotto di protezione. Una spina polarizzata è dotata di due lame, una più ampia dell'altra. Una spina con spinotto è dotata di due lame e di un terzo polo di messa a terra. La lama più ampia ed il terzo polo hanno lo scopo di tutelare la vostra incolumità. Se la spina in dotazione non si adatta alla presa di corrente, rivolgetevi ad un elettricista per far eseguire le modifiche necessarie
10. EVITATE di calpestare il cavo di alimentazione o di comprimerlo, specie in corrispondenza di spine, prese di corrente e punto di uscita dall'apparecchio
11. USATE ESCLUSIVAMENTE i dispositivi di collegamento e gli accessori specificati dal costruttore.
12.  USATE l'apparecchio solo con carrelli, sostegni, treppiedi, staffe o tavoli specificati dal costruttore o venduti insieme all'apparecchio stesso. Se usate un carrello, fate attenzione durante gli spostamenti per evitare infortuni causati da un eventuale ribaltamento del carrello stesso.
13. SCOLLEGATE l'apparecchio dalla presa di corrente in caso di temporali o di non utilizzo per un lungo periodo.
14. RIVOLGETEVI a personale di assistenza qualificato per qualsiasi intervento. È necessario intervenire sull'apparecchio ogniqualvolta sia stato danneggiato, in qualsiasi modo, ad esempio in caso di danneggiamento di spina o cavo di alimentazione, versamento di liquido sull'apparecchio o caduta di oggetti su di esso, esposizione dell'apparecchio a pioggia o umidità, funzionamento irregolare o caduta.
15. NON esponetelo a sgocciolamenti o spruzzi. NON appoggiate sull'apparecchio oggetti pieni di liquidi, ad esempio vasi da fiori.
16. La spina di alimentazione o un attacco per elettrodomestici devono essere sempre pronti per l'uso
17. Il rumore aereo dell'apparecchio non supera i 70dB (A).
18. L'apparato con costruzione di CLASSE I va collegato ad una presa elettrica dotata di messa a terra di protezione.
19. Per ridurre il rischio di incendio o folgorazione, non esponete questo apparecchio alla pioggia o all'umidità.
20. Non tentate di modificare il prodotto. Tale operazione può causare infortuni e/o il guasto del prodotto stesso.

DESCRIZIONE

Il modello Shure SCM410/E è un mixer automatico a quattro canali per microfoni studiato per impianti di amplificazione sonora, registrazione audio e radiodiffusione. Il modello SCM410 migliora notevolmente la qualità audio in qualsiasi applicazione che richieda l'uso di più microfoni. Con esso è possibile utilizzare qualsiasi microfono dinamico a bassa impedenza o a condensatore (inclusi i radiomicrofoni). E' possibile collegare più mixer SCM410 ad altri SCM410, oltre che ai modelli Shure SCM810, ed SCM800.

Ogni canale d'ingresso è dotato di un equalizzatore a due bande e di tre terminali logici. L'equalizzatore riduce la ricezione di segnali audio a bassa frequenza indesiderati e rende simile il suono di microfoni differenti: lavalier, a effetto di contorno e palman. I terminali logici possono servire a comandare dispositivi esterni.

Il modello SCM410 funziona con alimentazione a 100-120 V c.a., mentre il modello SCM410E funziona con alimentazione a 220-240 V c.a. Ogni mixer è dotato di cavo di alimentazione, di elementi di fissaggio per il montaggio su rack e di cavo di collegamento.

CARATTERISTICHE

- Selezione del microfono rapida e silenziosa, con adattamento automatico ad eventuali variazioni del rumore di fondo
- Regolazione automatica del guadagno man mano che altri microfoni vengono attivati (NOMA: Number of Open Microphones Attenuated)
- Bloccaggio dell'ultimo microfono, per il mantenimento dell'acustica dell'ambiente
- Occupa mezzo rack
- Equalizzazione regolabile per ciascun canale
- Ingressi XLR a livello microfonico attivi bilanciati e un'uscita XLR a livello microfonico/di linea attiva bilanciata
- Uscita fono a livello ausiliario sbilanciata
- LED bicolori di limitazione e attivazione dei canali
- Limitatore dei picchi di uscita con spia LED
- Indicatore del livello di picco del segnale di uscita

PRINCIPI DI FUNZIONAMENTO

Il concetto operativo alla base del mixer automatico modello SCM410 è la circuiteria brevettata* *IntelliMix*® della Shure, che offre operazioni automatiche di miscelazione dei segnali di qualità costante mediante una combinazione delle tre funzioni che seguono.

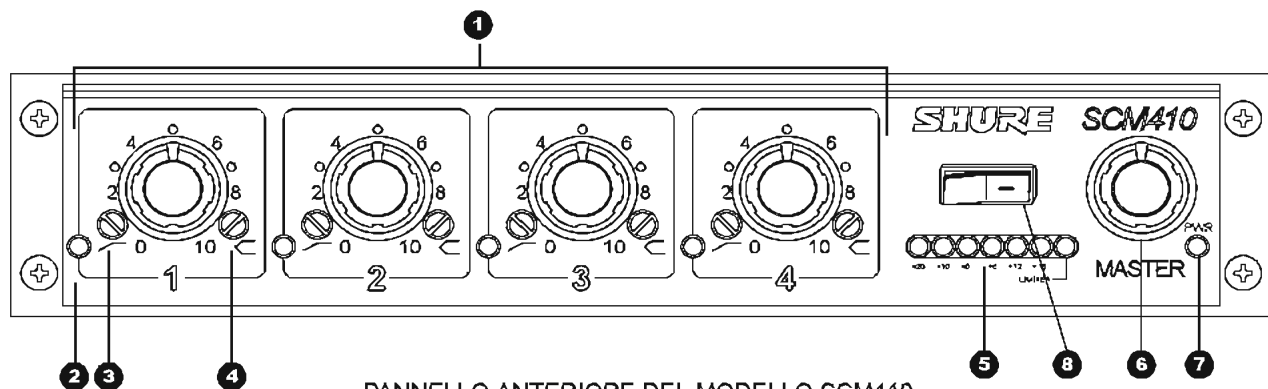
- **Soglia di rumore adattabile.** Distingue tra rumore di fondo costante (ad esempio l'impianto di condizionamento dell'aria) e rumore variabile (ad esempio il suono delle voci) per ogni canale d'ingresso. Regolando continuamente la soglia di attivazione, fa sì che il canale si attivi esclusivamente solo a livelli vocali superiori al rumore di fondo.
- **MaxBus.** Comanda il numero di canali attivabili per una sin-

gola sorgente sonora. Ciascun oratore attiva solo un canale, anche se più microfoni ne stanno ricevendo i segnali vocali.

- **Bloccaggio dell'ultimo microfono.** Mantiene aperto l'ultimo microfono attivato finché non viene attivato un altro microfono. Senza questa funzione, una lunga pausa nella conversazione potrebbe causare la disattivazione di tutti i microfoni; ne deriverebbe un effetto di segnale audio perso. La funzione di bloccaggio dell'ultimo microfono garantisce la presenza costante del suono di fondo.

*Brevetti USA 4.658.425 e 5.297.210. *IntelliMix* è un marchio depositato della Shure Incorporated

PANNELLO ANTERIORE

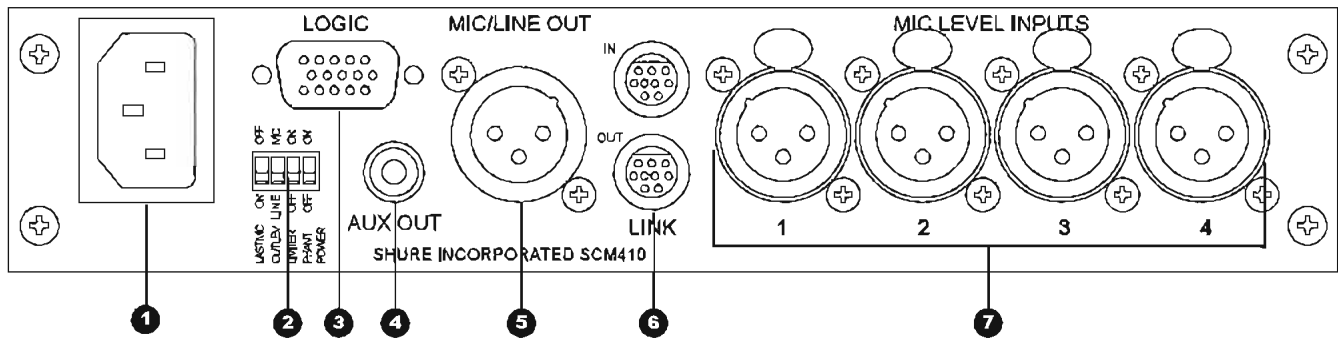


PANNELLO ANTERIORE DEL MODELLO SCM410

FIGURA 1

- 1 Comandi 1 - 4 del guadagno di canale dei microfoni: servono a regolare il guadagno dei microfoni.
- 2 LED d'ingresso 1 - 4: il LED è verde quando il canale corrispondente è attivo, è rosso a 6 dB sotto il livello di limitazione.
- 3 Filtro passa alto 1 - 4: permette la regolazione dell'attenuazione alle basse frequenze (filtro passa alto), riducendo la presenza di segnali a bassa frequenza indesiderati.
- 4 Filtro di regolazione delle alte frequenze 1 - 4: consente l'amplificazione o l'attenuazione nella banda di frequenze medio-alte per l'eliminazione dei suoni sibilanti dai microfoni per voce o la compensazione della colorazione dei suoni fuori asse dei microfoni lavalier.
- 5 Indicatore del livello di uscita: formato da sei segmenti a LED, indica il livello di picco del segnale di uscita in dBu (0 dBu = 0,775 V). Il LED rosso si accende quando l'uscita è a 6 dB sotto il livello di limitazione. L'ultimo LED indica l'azione del limitatore.
- 6 Comando PRINCIPALE del livello: regola il livello complessivo dell'uscita.
- 7 LED DI ALIMENTAZIONE: si illumina (verde) quando il mixer è collegato ad una fonte di alimentazione.
- 8 INTERRUTTORE di alimentazione
Nota: Dipende dal Paese

PANNELLO POSTERIORE



PANNELLO POSTERIORE DEL MODELLO SCM410

FIGURA 2

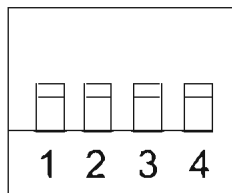
- ❶ **Connettore di alimentazione:** l'apparecchio viene alimentato collegando l'apposito cavo ad un'alimentazione a 100-120 V c.a. (SCM410) o 220-240 V c.a. (SCM410E). **NOTA** - questo mixer non è dotato di interruttore generale acceso/spento.
- ❷ **Interruttore DIP:** l'interruttore DIP a 4 posizioni mette a disposizione funzioni supplementari. Consultate la sezione "Funzioni dell'interruttore DIP".
- ❸ **Connettore ai circuiti logici dei microfoni:** il connettore maschio DB-15 ad alta densità consente il collegamento ai terminali logici USCITA PORTA, SILENZIAMENTO e ATTIVAZIONE di ciascun canale. Consultate la sezione "Funzioni avanzate". **NOTA** - NON SI TRATTA DI UNA PORTA PER MONITOR VGA.
- ❹ **Connettore fono AUX OUT (USCITA AUSILIARIA):** alimenta apparecchi audio a livello d'impianto, quali registratori a nastro,

VCR o telecamere; non è influenzato dalla posizione dell'interruttore MIC/LINE.

- ❺ **Connettore XLR MIC/LINE OUT:** può essere impostato per uscita a livello microfonico o di linea mediante un interruttore DIP.
- ❻ **Connettore LINK IN/OUT:** consente il collegamento di più mixer SCM410/E, SCM810, SCM800 o AMSB100, creando ingressi supplementari.
- ❼ **Connettori XLR MIC LEVEL INPUT:** ingressi XLR a livello microfonico attivi e bilanciati. Per le istruzioni sulla modifica del livello di questi ingressi, consultate il supplemento "Modifiche interne".

FUNZIONI DELL'INTERRUTTORE DIP

L'interruttore DIP, situato sul pannello posteriore ed illustrato nella Figura 3, mette a disposizione le funzioni elencate nella seguente tabella.



INTERRUTTORE DIP
FIGURA 3

	Bloccaggio dell'ultimo microfono	Livello di uscita XLR	Limitatore	Alimentazione phantom a 12 V
Numero interruttore	1	2	3	4
Su	Tutti i microfoni disattivati dopo l'intervallo di tenuta	Livello microfonico	ATTIVATO	ATTIVATO
Giù	ATTIVATO*	Livello di linea*	DISATTIVATO*	DISATTIVATO*

*Impostazione di fabbrica.

Bloccaggio dell'ultimo microfono: mantiene aperto l'ultimo microfono attivato finché non viene attivato un altro microfono. Quando il bloccaggio è disattivato, i microfoni si disattivano dopo l'intervallo di tenuta predefinito.

Livello di uscita XLR: imposta il livello dell'uscita XLR a livello di linea o microfonico. Accertatevi che il livello di uscita corrisponda al livello d'ingresso dell'apparecchio collegato al modello SCM410.

NOTA - Il livello di uscita non ha effetto sul livello di uscita ausiliario (AUX OUT).

Limitatore: attiva il limitatore di uscita e lo imposta alla soglia predefinita di +16 dBu (per altre impostazioni di soglia consultate il supplemento *Modifiche interne*).

Alimentazione phantom a 12 V: quando questo interruttore è in posizione di attivazione, il modello SCM410 fornisce alimentazione phantom a 12 V c.c. a ciascun ingresso microfonico XLR. Questa funzione è particolarmente utile se si usano microfoni a condensatore, che generalmente richiedono alimentazione phantom.

NOTA - L'alimentazione phantom non influisce sul funzionamento dei microfoni dinamici bilanciati, che possono essere collegati al modello SCM410 insieme ai microfoni a condensatore che la utilizzano. Per le istruzioni sul disinserimento dell'alimentazione phantom per canale, consultate il supplemento "Modifiche interne".

INSTALLAZIONE

ELEMENTI DI FISSAGGIO IN DOTAZIONE

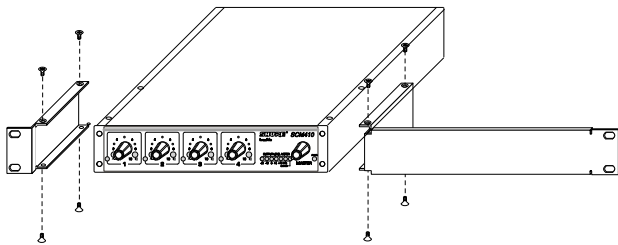
- Quattro piedini di gomma
- Una staffa da rack lunga
- Una staffa da rack corta
- Due staffe di congiunzione
- Dieci viti da 6 mm per le staffe
- Quattro viti da 2,54 cm (1 pollice) per il fissaggio al rack
- Quattro rondelle di plastica
- Quattro viti per legno da 1,25 cm

MONTAGGIO SU RACK

Il modello SCM410 viene fornito con gli elementi di fissaggio necessari a montare uno o due apparecchi in un rack da 19 pollici per apparecchi audio. Tali elementi possono anche essere impiegati per montare su rack altri prodotti Shure, inclusi i modelli SCM268, SCM262, DFR11EQ e DP11EQ.

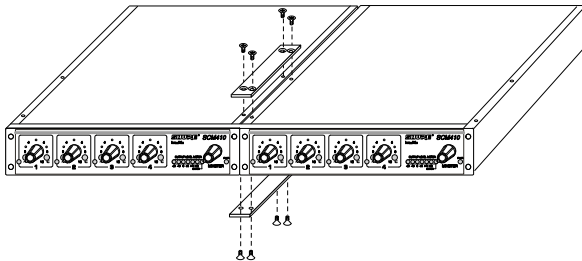
INSTALLAZIONE DI UN MIXER SINGOLO (SEMIRACK)

1. Fissate le staffe da rack corta e lunga al modello SCM410/E mediante otto (8) delle apposite viti in dotazione, come illustrato nella Figura 4.



INSTALLAZIONE DELLE STAFFE DI MONTAGGIO DA SEMI-RACK
FIGURA 4

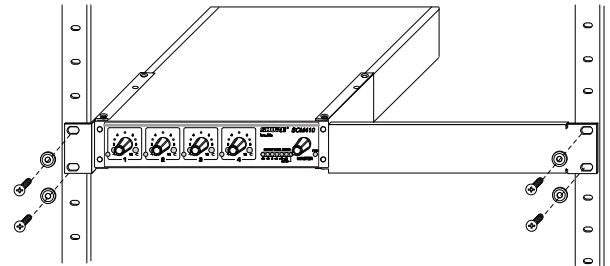
2. Posizionate il mixer nel rack e fissatelo con le apposite viti e rondelle di plastica in dotazione. Vedi Figura 5.



MONTAGGIO SU RACK DI UN SINGOLO MIXER
SCM410/E
FIGURA 5

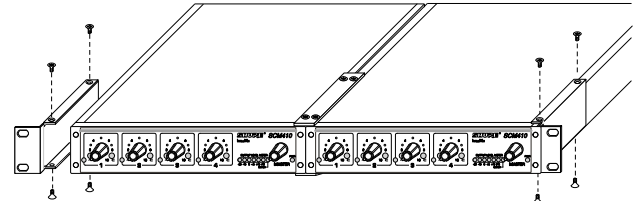
INSTALLAZIONE DI DUE MIXER (RACK INTERO)

1. Posizionate i due mixer fianco a fianco ed uniteli con due (2) staffe di congiunzione. Le staffe devono coprire i bordi incassati sulla parte superiore ed inferiore di entrambi i mixer. Vedi Figura 6.



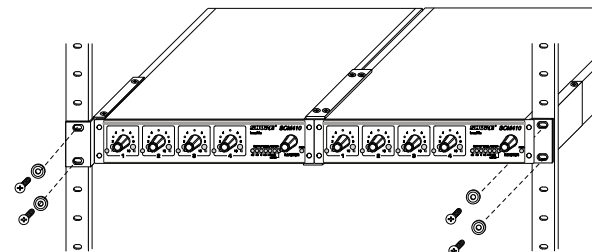
INSTALLAZIONE DELLE STAFFE DI CONGIUNZIONE
FIGURA 6

2. Fissate le staffe di congiunzione mediante otto (8) delle apposite viti in dotazione.
3. Fissate le staffe corte ai lati esterni dei mixer uniti mediante otto (8) delle apposite viti. Vedi Figura 7.



INSTALLAZIONE DELLE STAFFE DI MONTAGGIO DA RACK INTERO
FIGURA 7

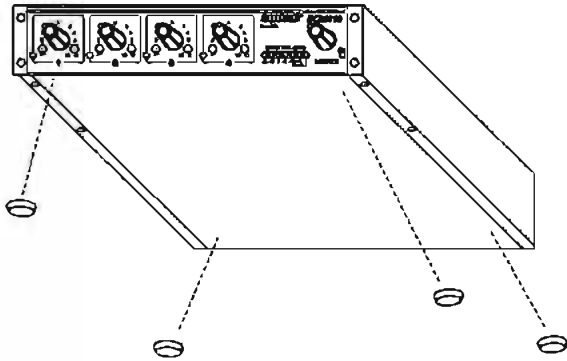
4. Posizionate il mixer nel rack e fissatelo con le apposite viti e rondelle di plastica in dotazione. Vedi Figura 8.



MONTAGGIO SU RACK DI DUE MIXER SCM410/E
FIGURA 8

MONTAGGIO SU RIPIANO

Fate aderire i quattro (4) piedini in gomma in dotazione agli angoli della parte inferiore del mixer, come illustrato nella Figura 9. Ciò impedisce al mixer di scivolare e protegge la superficie del ripiano.

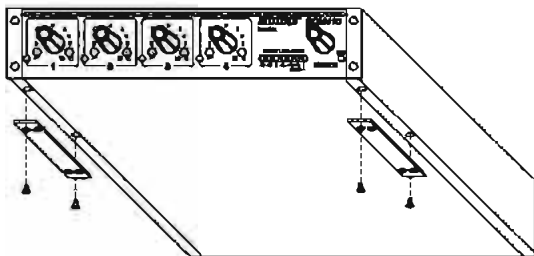


FISSAGGIO DEI PIEDINI IN GOMMA PER IL MONTAGGIO SU RIPIANO
FIGURA 9

MONTAGGIO FISSO

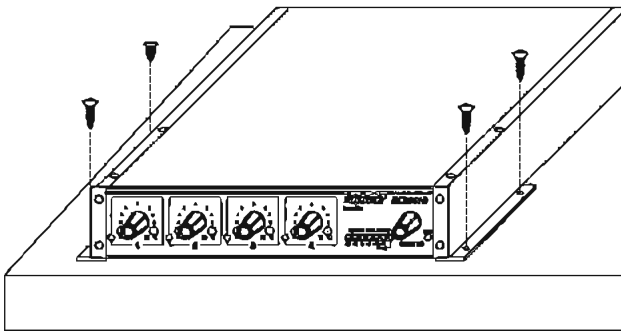
MONTAGGIO SULLA PARTE SUPERIORE

1. Fissate le staffe di congiunzione ai bordi incassati dello chassis mediante quattro (4) delle apposite viti, come illustrato nella Figura 10.



INSTALLAZIONE DELLE STAFFE DI CONGIUNZIONE PER MONTAGGIO SULLA PARTE SUPERIORE
FIGURA 10

2. Fissate le staffe di congiunzione alla parte superiore della superficie di montaggio mediante le quattro (4) viti per legno in dotazione. Vedi Figura 11.

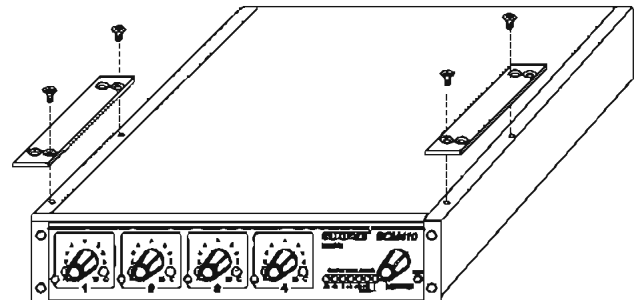


FISSAGGIO DEL MIXER ALLA SUPERFICIE DI MONTAGGIO SUPERIORE
FIGURA 11

MONTAGGIO SULLA PARTE INFERIORE

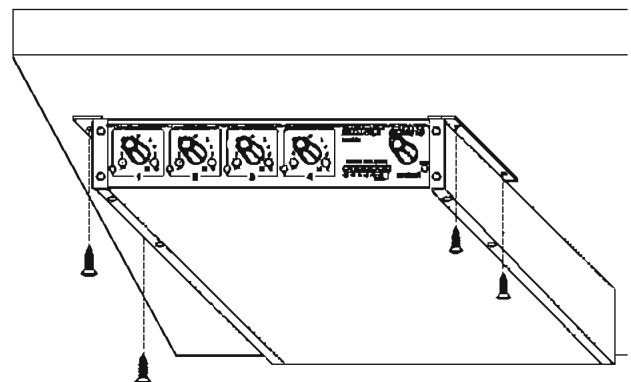
Nota: la viteria in dotazione serve per il fissaggio a legno. Per superfici di altra natura occorre usare viteria adatta a 15 o più libbre.

1. Fissate le staffe di congiunzione alla parte superiore del mixer, come illustrato nella Figura 12.



INSTALLAZIONE DELLE STAFFE DI CONGIUNZIONE PER MONTAGGIO SULLA PARTE INFERIORE
FIGURA 12

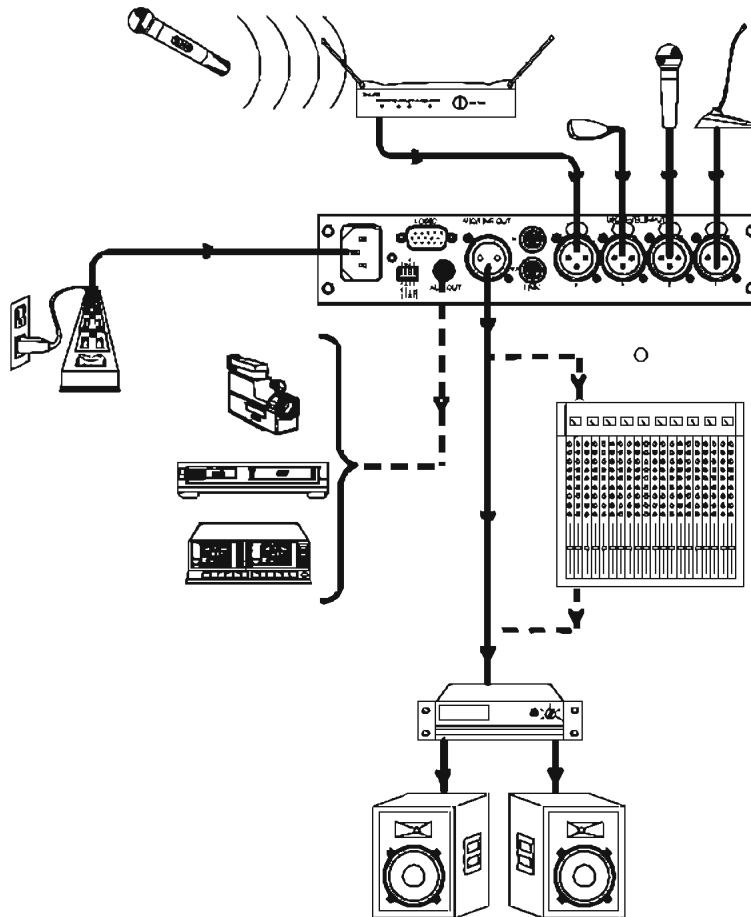
2. Fissate le staffe di congiunzione alla parte inferiore della superficie di montaggio mediante le quattro (4) viti per legno in dotazione. Vedi Figura 13.



FISSAGGIO DEL MIXER ALLA SUPERFICIE DI MONTAGGIO INFERIORE
FIGURA 13

COLLEGAMENTI DEL MODELLO SCM410

1. Collegate le sorgenti sonore del microfono ai connettori d'ingresso dei canali, come illustrato dalla Figura 14. Usate normali cavi audio schermati bifilari.
2. Se si collegano microfoni a condensatore, portare l'interruttore DIP di alimentazione phantom a +12 V sulla posizione di attivazione.
3. Collegate l'uscita a livello microfonico/di linea del modello SCM410 all'ingresso di mixer, equalizzatori, amplificatori o registratori.
4. Collegate l'apposito cavo ad un'alimentazione a 100-120 V c.a. (SCM410) oppure 220-240 V c.a. (SCM410E).



COLLEGAMENTI DEL MODELLO SCM410
FIGURA 14

COLLEGAMENTO DI PIÙ MIXER

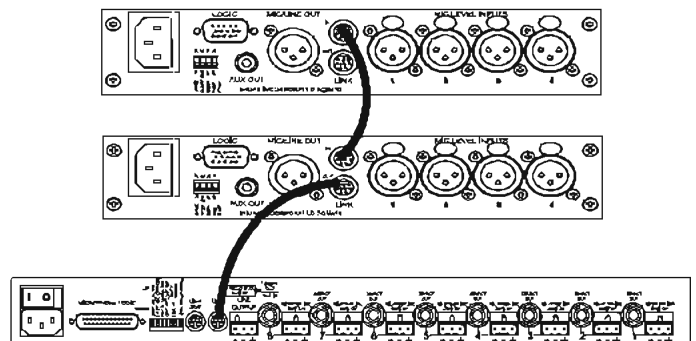
Per ottenere più di quattro ingressi, se necessario, è possibile collegare più mixer Shure SCM410 o SCM810 collegando l'uscita LINK OUT del primo mixer all'ingresso LINK IN del mixer successivo e così via, come illustrato nella Figura 15. Lasciate scollegate la presa LINK IN del primo mixer e la presa LINK OUT dell'ultimo mixer.

Se correttamente collegati, i mixer funzionano come un unico impianto. Le funzioni di miscelazione automatica dei segnali vengono condivise da tutti gli apparecchi; tutti i segnali d'ingresso si presentano a tutte le uscite dei mixer collegati. Il comando principale del livello di ciascun mixer regola solo l'uscita di tale mixer. Tuttavia, l'attenuazione effettiva aumenta collegando più mixer. Ciò riduce riverberazione e rumore eccessivi derivanti dal maggior numero di microfoni.

IMPORTANTE - Quando usate i terminali logici con più mixer collegati, collegate insieme i terminali di MASSA LOGICA di ciascun apparecchio.

NOTA - Le connessioni di collegamento del modello SCM410 sono sbilanciate; per ridurre problemi di ronzio e rumore, evitate l'uso di cavi di collegamento lunghi. Usate cavi schermati di alta qualità, avendo cura di tenerli lontani da sorgenti di rumore magnetico o elettrico, quali trasformatori o attenuatori luminosi. Per ridurre al

minimo le correnti di massa, accertatevi che i mixer collegati siano allacciati alla stessa rete di alimentazione in c.a.



MIXER SCM410 E SCM810 COLLEGATI
FIGURA 15

FUNZIONAMENTO DI BASE DEL MIXER

1. Regolate il livello di ciascun canale così che il relativo LED di segnalazione di sovraccarico lampeggi solo in presenza di segnali vocali o rumori molto elevati.
2. Regolare i comandi dei filtri passa alto e di regolazione delle alte frequenze, posti presso ciascun comando del guadagno d'ingresso, in modo da rendere simili i suoni dei vari microfoni.
3. Regolare il comando principale del livello in modo da ottenere il livello di uscita necessario, come indicato dall'indicatore del picco di uscita. A questo punto il modello SCM410 è pronto per l'uso.

LIMITATORE

I limitatori di uscita evitano la distorsione derivante da picchi di segnale elevati senza influire sui livelli normali del segnale. Ciò evita il sovraccarico degli apparecchi collegati all'uscita del mixer SCM410. Regolando i comandi singoli o quello principale del modello SCM410 su valori superiori, si aumenta la potenza di uscita media e di conseguenza il valore limitabile.

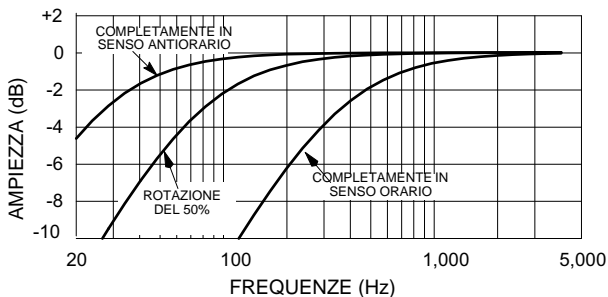
Il limitatore viene attivato mediante l'interruttore DIP ubicato sul pannello posteriore. La soglia predefinita è +16 dBu. In fabbrica il limitatore è stato disattivato.

NOTA -È possibile cambiare le impostazioni di fabbrica delle soglie dei limitatori. Consultate il supplemento *Modifiche Interne*.

FUNZIONI DELL'EQUALIZZATORE

FILTRO PASSA ALTO

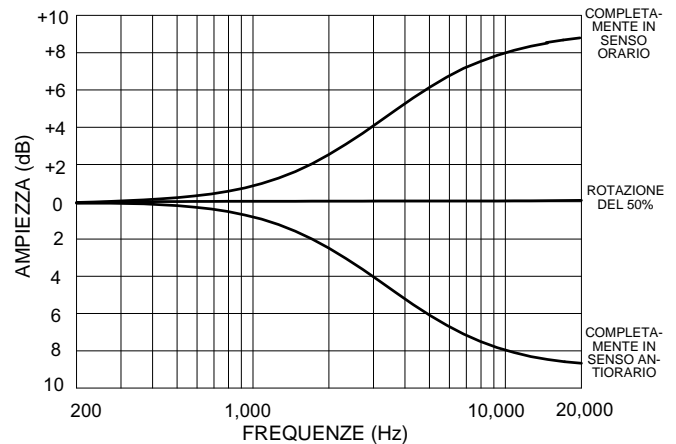
I filtri passa alto servono a ridurre rumori a bassa frequenza indesiderati, quali passi e traffico stradale, ed a controllare l'effetto di prossimità. Il modello SCM410 è dotato di un filtro passa alto a un polo, con attenuazione di 6 dB per ottava. Il filtro passa alto lascia passare senza attenuarle tutte le frequenze maggiori della sua frequenza di taglio, mentre attenua tutte le frequenze inferiori (vedi Figura 16). La frequenza di taglio è la frequenza alla quale il segnale è attenuato di 3 dB rispetto alla zona piatta (banda passante) della risposta in frequenza. Sotto la frequenza di taglio, l'attenuazione del filtro aumenta progressivamente al diminuire della frequenza.



EFFETTI DEL FILTRO PASSA ALTO
FIGURA 16

REGOLAZIONE DELLE ALTE FREQUENZE

L'equalizzatore ad azione simmetrica introduce un'amplificazione o un'attenuazione alle alte frequenze che raggiunge i 6 dB a 5 kHz o valori superiori (vedi Figura 17). La regolazione delle alte frequenze è molto utile per l'amplificazione di risposte in frequenza costanti, attenuando l'effetto di microfoni per voce molto sibilanti o migliorando la qualità del suono di microfoni lavalier fuori asse.



EFFETTI DELLA REGOLAZIONE DELLE ALTE FREQUENZE
FIGURA 17

DATI TECNICI

Condizioni di misura (se non specificato diversamente): tensione di alimentazione di 120 V c.a., 60 Hz (SCM410) o 230 V c.a., 50 Hz (SCM410E); guadagno massimo; 1 kHz, un canale attivato; impedenza del generatore: microfono 150 Ω; terminazioni: uscita ausiliaria linea/microfono 10 kΩ

Risposta in frequenza (a 1 kHz, comandi dei canali in posizione centrale)

da 50 Hz a 20 kHz ±2 dB; frequenza di taglio -3 dB a 25 Hz

Guadagno di tensione (valore tipico, comandi a fine corsa in senso orario)

Ingresso	Uscita		
	Linea	Mic.	Aus.
Mic. a bassa impedenza (150 Ω)	80 dB	40 dB	68 dB

Ingressi

Ingresso	Impedenza		
	Progettato per l'uso con	Valore effettivo (tipico)	Livello di limitazione in ingresso
Mic.	19-600 Ω	1,4 kΩ	-14 dBV

Uscite

Uscita	Impedenza		
	Progettato per l'uso con	Valore effettivo (tipico)	Livello di limitazione in uscita
Linea	≥5 k Ω	300 Ω	+22 dBV
Mic.	≥600 Ω	3 Ω	-20 dBV
Aus.	≥10 k Ω	1,5 kΩ	+12 dBV

Distorsione armonica totale

<0,1% a un livello di uscita di +4 dBu, da 50 Hz a 20 kHz (attraverso un filtro da 22 Hz a 22 kHz; comandi di ingresso e principale del livello sulle ore 12, tutti gli altri comandi ruotati completamente in senso antiorario)

Rumore d'ingresso equivalenti (impedenza del generatore 150 Ω; filtro di ponderazione A)

max. -127 dBV, valore tipico -129 dBV

Rumore d'uscita (Comandi dei canali a fine corsa in senso antiorario, filtro di ponderazione A)

Comando principale del livello a fine corsa in senso antiorario: -101 dBV

Comando principale del livello a fine corsa in senso orario: -67 dBV

Reiezione di modo comune

>70 dB a 1 kHz

Polarità

Tutti gli ingressi a tutte le uscite sono non invertenti

Attivazione del canale d'ingresso

Tempo di intervento: 4 ms

Intervallo di tenuta: 0,4 s

Tempo di decadimento: 0,5 s

Attenuazione

13 dB

Protezione contro sovraccarichi e cortocircuiti

Uscite in cortocircuito, anche per lunghi periodi, non causano danni. Gli ingressi microfonici non vengono danneggiati da segnali di ampiezza massima +10 dBV (3 V)

Equalizzazione

Bassa frequenza: 6 dB/ottava, frequenza di taglio regolabile da 25 a 320 Hz

Alta frequenza: ±6 dB a 5 kHz, ±8 dB a 10 kHz, amplificazione/attenuazione

Limitatore

Tipo: di picco

Soglia: +16 dBu (in uscita)

Tempo di intervento: 2 ms

Tempo di ripristino: 300 ms

Spia: s'illumina in rosso al verificarsi della limitazione

LED d'ingresso

S'illuminano in verde all'attivazione dei canali, in rosso a 6 dB sotto il livello di limitazione

Alimentazione phantom

Circuito aperto a 12 V c.c. attraverso resistori da 680 Ω

Tensione di funzionamento

SCM410: 100-120 V c.a. nominali, 50/60 Hz,

100 mA (massimo)

SCM410E: 220-240 V c.a. nominali, 50/60 Hz,

50 mA (massimo)

Corrente di picco di entrata di rete (230 V c.a., solo per SMC410E)

picco 0,7 A

Intervallo di temperatura

Apparecchio acceso: da -7° a 49°C

Spento: da -y 29° a 74°C

Dimensioni

alt. 44 mm x largh. 219 mm x prof. 267 mm

Peso netto

1,75 kg

Certificazioni

SCM410: a norma UL secondo UL 60065 ed a norma cUL secondo CAN/CSA-C22.2 No. 60065-3 Canada.

SCM410E: conforme alle pertinenti direttive della Comunità Europea. Direttiva sulle basse tensioni 2006/95/CE: certificazione a norma EN 60065. Contrassegnabile con il marchio CE. Direttiva sulla compatibilità elettromagnetica 2004/108/EC: Conforme alle norme armonizzate EN55103-1:1996 ed EN55103-2:1996 per l'uso in ambienti domestici (E1) e industriali leggeri (E2).

Conforme al Regolamento Europeo (CE) N. 1275/2008, come emendato.

La Dichiarazione di conformità CE può essere ottenuta da Shure Incorporated o da uno qualsiasi dei suoi rappresentanti europei. Per informazioni sui contatti, visitate il sito www.shure.com

La Dichiarazione di conformità CE può essere ottenuta da: www.shure.com/europe/compliance

Rappresentante europeo autorizzato:

Shure Europe GmbH

Sede per Europa, Medio Oriente e Africa

Approvazione EMEA

Jakob-Dieffenbacher-Str. 12

75031 Eppingen, Germania

Telefono: 49-7262-92 49 0

Fax: 49-7262-92 49 11 4

E-mail: info@shure.de

Componenti di ricambio

Manopola Master (bianco)	95A8238
Manopola del guadagno di canale (blu)	95B8238
Cavo di alimentazione (SCM410)	95B8389
Cavo di alimentazione (SCM410E)	95B8778
Cavo di collegamento	95B8889
Fusibile per SCM410 (5 x 20 mm, T 125 mA L, 250 V, a intervento ritardato)	80AA730
Fusibile per SCM410E (5 x 20 mm, T 50 mA L, 250 V, ad intervento ritardato)	80J380
Staffa lunga per montaggio su rack	53A8484
Staffa corta per montaggio su rack	53E8484
Staffa di congiunzione	53B8443
Kit di elementi di fissaggio, busta	90AW8100

Accessori in opzione

Cavo di alimentazione 230-240 V c.a. (GB)

Attenuatore di linea esterno da 50 dB

Assistenza

Per assistenza tecnica o informazioni sui ricambi, rivolgetevi alla Shure chiamando il numero 1-847-600-8699. Fuori degli USA, rivolgetevi a un centro di assistenza Shure autorizzato.

FUNZIONI AVANZATE

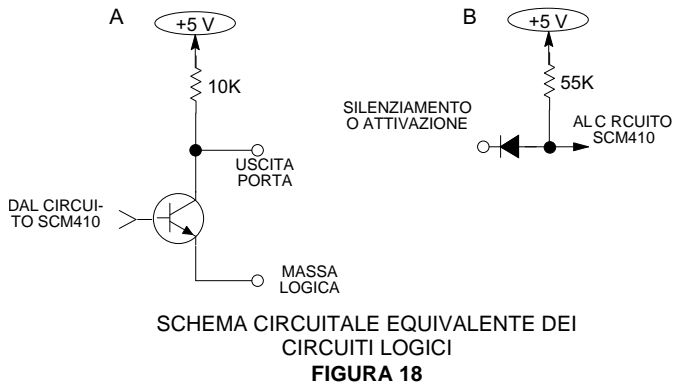
ATTENZIONE - L'uso di funzioni avanzate è consigliato esclusivamente a tecnici audio qualificati.

DATI TECNICI DEL COLLEGAMENTO DEI CIRCUITI LOGICI

Le funzioni logiche consentono di espandere le possibilità di regolazione e la varietà di installazioni del mixer SCM410. I circuiti logici possono essere usati per varie applicazioni, da semplici pulsanti "tosse" a complicati impianti di ambiente regolati da computer. (La pubblicazione *Shure AMS Update* (aggiornamento AMS) riporta altre applicazioni di funzioni logiche avanzate; questa pubblicazione, disponibile solo in inglese, è ottenibile rivolgendosi all'Applications Department della Shure). Per ciascun canale sono disponibili le seguenti funzioni logiche.

USCITA PORTA: segue la funzione di apertura del canale e passa allo stato "basso" (corrente assorbita) quando il microfono è attivo. La corrente assorbibile è di 500 mA (vedi Figura 18A).

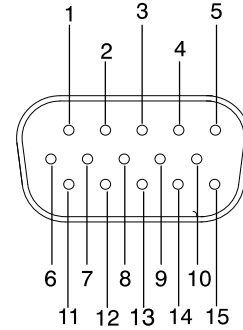
SILENZIAMENTO: applicando un segnale logico "basso" (proveniente da un'USCITA PORTA o collegando SILENZIAMENTO alla massa logica mediante un interruttore) si forza la disattivazione del canale (vedi Figura 18B). L'uscita del canale scende a $-\infty$.



ATTIVAZIONE: applicando un segnale logico "basso" (proveniente da un'USCITA PORTA o collegando ATTIVAZIONE alla massa logica mediante un interruttore) si forza l'attivazione del canale (vedi Figura 18B). Se vengono attivati contemporaneamente silenziamento e attivazione, silenziamento ha la priorità (per informazioni sulla priorità di attivazione, vedi il supplemento *Modifiche interne*).

MASSA LOGICA: la massa logica è diversa dalla massa audio. Collegate a questo piedino tutti i punti di massa logica, compresa la massa dell'alimentazione di un eventuale circuito logico esterno. Per evitare clic nelle fasi di commutazione, *non* collegate la massa logica alla massa audio o alla massa dello chassis o del rack.

I circuiti logici vengono comandati mediante il connettore multipiedino DB-15 ad alta densità sul pannello posteriore (Figura 19). La tabella che segue riporta i collegamenti dei piedini.



CONNETTORE DEI CIRCUITI LOGIC
FIGURA 19

COLLEGAMENTI DEI CIRCUITI LOGICI

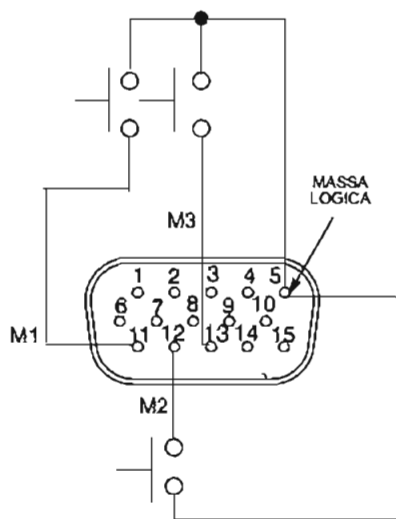
N. piedino	Funzione logica	Funzione logica	N. piedino
1	ATTIVAZIONE 1	USCITA PORTA 1	6
2	ATTIVAZIONE 2	USCITA PORTA 2	7
3	ATTIVAZIONE 3	USCITA PORTA 3	8
4	USCITA PORTA 4	USCITA PORTA 4	4
5	MASSA LOGICA	ATTIVAZIONE 1	1
6	USCITA PORTA 1	ATTIVAZIONE 2	2
7	USCITA PORTA 2	ATTIVAZIONE 3	3
8	USCITA PORTA 3	ATTIVAZIONE 4	14
9	NESSUN COLLEGAMENTO	SILENZIAMENTO 1	11
10	SILENZIAMENTO 4	SILENZIAMENTO 2	12
11	SILENZIAMENTO 1	SILENZIAMENTO 3	13
12	SILENZIAMENTO 2	SILENZIAMENTO 4	10
13	SILENZIAMENTO 3	MASSA LOGICA	5
14	ATTIVAZIONE 4	NESSUN COLLEGAMENTO	15
15	NESSUN COLLEGAMENTO	NESSUN COLLEGAMENTO	9

APPLICAZIONI SUGGERITE PER I CIRCUITI LOGICI

Questa sezione contiene suggerimenti sull'uso delle possibili funzioni logiche del modello SCM410. Si noti che tale uso non si limita alle applicazioni qui riportate. I limiti di ciascun utilizzatore dipendono solo dalla sua immaginazione e dalla sua creatività. Per ulteriori suggerimenti e per le soluzioni di eventuali problemi d'installazione, rivolgetevi all'Applications Department della Shure.

PULSANTE "TOSSE"

L'oratore può disattivare il proprio microfono, prima di tossire o durante una conversazione privata, mediante un pulsante con interruttore unipolare inserito tra i piedini di SILENZIAMENTO e massa logica per ciascun canale da modificare (vedi Figura 20). Quando un canale è silenziato, qualsiasi segnale audio viene bloccato. (Per ulteriori informazioni sulla funzione logica di SILENZIAMENTO, vedi *Eliminazione delle zone morte in SILENZIAMENTO* sotto il supplemento *Modifiche interne*).

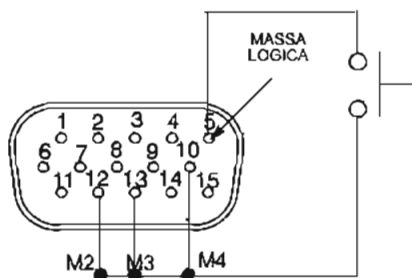


PULSANTE "TOSSE"
FIGURA 20

SILENZIAMENTO COMANDATO DAL MODERATORE

Mediante un interruttore, il moderatore può silenziare tutti gli altri microfoni ed essere udito senza interruzioni. Per ottenere questa modalità di funzionamento, collegate insieme tutti i piedini di SILENZIAMENTO *eccetto quello del canale del moderatore* e collegate un pulsante con interruttore unipolare o un interruttore a bascula tra i suddetti piedini di SILENZIAMENTO e quelli di massa logica (vedi Figura 21).

Una soluzione alternativa all'uso di un interruttore consiste nel collegare il piedino di USCITA PORTA del moderatore a quello di SILENZIAMENTO di altri canali. In tal modo, all'attivazione del microfono del moderatore si silenziano tutti gli altri microfoni.

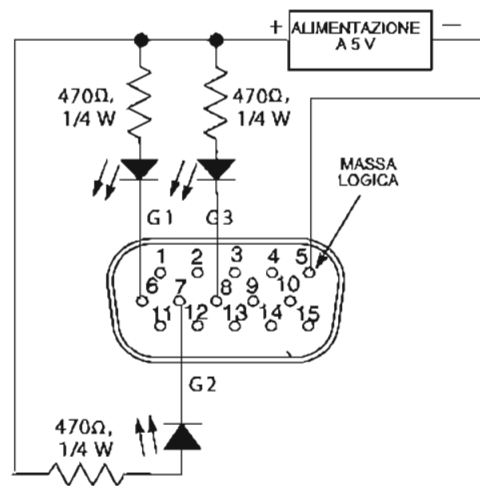


SILENZIAMENTO COMANDATO DAL MODERATORE
FIGURA 21

INDICATORI REMOTI DI ATTIVAZIONE DEI CANALI

Gli indicatori remoti si possono usare per segnalare quando il microfono di un oratore è attivato. Collegate i LED ed un'alimentazione a 5 volt ai piedini di USCITA PORTA (vedi Figura 22). Per evitare clic all'uscita audio nelle fasi di commutazione, *non* collegate a massa il terminale negativo dell'alimentazione dell'impianto audio o la massa del rack.

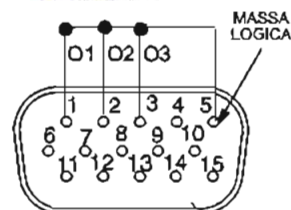
IMPORTANTE - Se si adoperano un solo cavo sia per il segnale audio del microfono sia per l'alimentazione in c.c. del LED, è **necessario** usare doppiini schermati separati. Se non si usa un doppiino schermato per la corrente continua di alimentazione, si possono generare clic udibili a causa dell'accoppiamento capacitivo tra i conduttori dell'alimentazione in c.c. e quelli del microfono.



INDICADORES REMOTOS DE CANALES ACTIVADOS
FIGURA 22

DISATTIVAZIONE DELLA FUNZIONE DI COLLEGAMENTO DELLA PORTA (BYPASS)

Per mantenere alcuni microfoni costantemente attivati, collegate i piedini di ATTIVAZIONE dei canali microfonici prescelti al piedino di massa logica. I canali selezionati funzioneranno secondo le modalità di un mixer non automatico (vedi Figura 23). Per eseguire questa modifica interna del mixer, consultate Cortocircuito interno tra attivazione e massa logica sotto il supplemento *Modifiche interne*.



BYPASS DELLE PORTE
FIGURA 23

INIBIZIONE DEL COLLEGAMENTO DI UNA PORTA PER SUONI INDESIDERATI

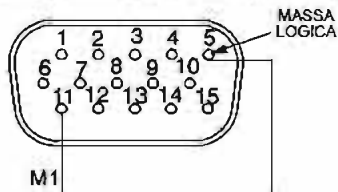
La funzione MaxBus serve per attivare un solo microfono per sorgente sonora. Il silenziamento di un canale microfonico impedisce che il suo segnale audio si presenti all'uscita del mixer. Tuttavia il microfono silenziato continua a comunicare con gli altri canali microfonici mediante MaxBus. Una sorgente sonora ricevuta da un microfono silenziato non attiverà altri microfoni.

Le seguenti sono alcune delle sorgenti sonore che possono causare l'attivazione indesiderata di un canale microfonico:

- impianti di riscaldamento, ventilazione o condizionamento dell'aria;
- stampanti o telefax rumorosi;
- porte cigolanti;
- altoparlanti di sistemi cercapersone;
- diffusori del segnale di ritorno di sistemi per teleconferenza audio.

Il modello SCM410 è in grado di impedire che questi ed altri rumori simili attivino i microfoni. Procedete come segue:

1. Collocate un microfono vicino alla sorgente sonora indesiderata. Collegate il segnale di questo microfono all'ingresso di un canale, *-oppure-* collegate la sorgente sonora indesiderata direttamente all'ingresso di un canale.
2. Silenziate il canale mediante il terminale logico (vedi Figura 24). Per eseguire questa modifica interna del mixer, consultate Cortocircuito interno tra silenziamento e massa logica sotto il supplemento Modifiche interne.
3. Regolate il guadagno del canale su un livello appena sufficiente affinché gli altri microfoni dell'impianto non vengano attivati da suoni indesiderati. Se si regola il guadagno su un valore troppo alto, gli altri microfoni possono non essere attivati dai suoni desiderati. Se si regola il guadagno su un livello insufficiente, i suoni indesiderati continuano ad attivare gli altri microfoni.

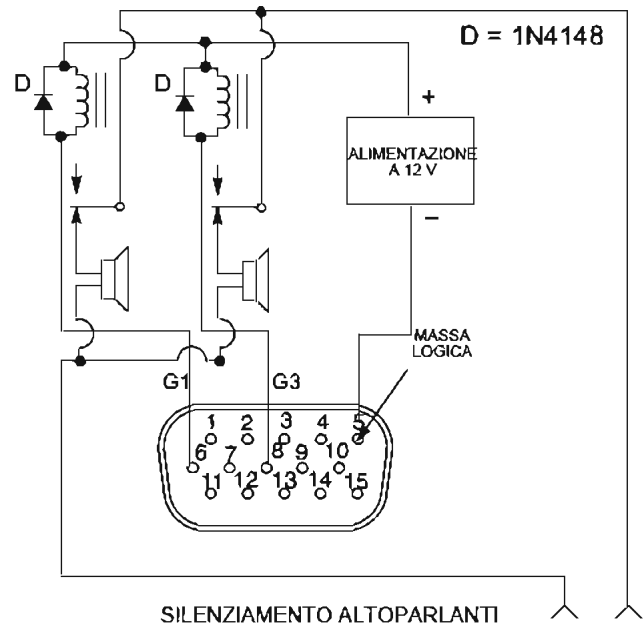


INIBIZIONE DEL COLLEGAMENTO DI UNA PORTA PER SUONI INDESIDERATI
FIGURA 24

SILENZIAMENTO DI ALTOPARLANTI

Alcune applicazioni richiedono che un altoparlante venga collocato vicino a ogni oratore per amplificare il suono oppure per consentire conversazioni telefoniche o per il monitoraggio della conferenza. Ciascun altoparlante può causare effetti di retroazione, a meno che non venga automaticamente disattivato quando l'oratore vicino a esso parla. Per attivare questa funzione, collegate il terminale USCITA PORTA di ogni canale ad un relè di silenziamento di altoparlanti separato (vedi Figura 25). Si consiglia l'uso di relè tipo Radio Shack 275-248, Omron G2R-14-DC12 (numero Digi-Key Z745-ND), Potter & Brumfield R10-E1Y2-V185 (numero Newark 45F106) o equivalenti.

NOTA - Occorre inserire un diodo in parallelo alla bobina di ciascun relè, per sopprimere transienti ("spike") di tensione induttivi che possono danneggiare il mixer.



Si può usare con il mixer, senza modifiche, un impianto acustico esistente dotato di relè a 24 volt se la corrente assorbita dalla bobina del relè è minore di 500 mA

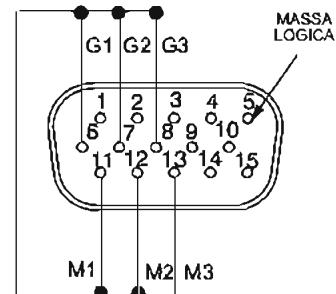
MODO "FILIBUSTER"

Di norma, quando parlano più persone, ciascun microfono si attiva, cosicché non si perde nessun discorso. In modo "Filibuster", un microfono resta attivato finché l'oratore non fa una pausa di durata sufficiente a far disattivare tale microfono. Nessun altro microfono può attivarsi fino a quando quel microfono non viene disattivato; ciò impedisce agli oratori di venire interrotti.

Per abilitare il modo "Filibuster", consultate la Figura 26 e procedete come segue.

1. Eseguite la modifica da Silenziamento a Interdizione consultando il supplemento Modifiche interne.
2. Collegate insieme tutti i piedini di SILENZIAMENTO sul canale modificato.
3. Collegate insieme tutti i piedini di USCITA PORTA sui canali modificati.
4. Collegate il piedino USCITA PORTA di un canale modificato al piedino SILENZIAMENTO di un altro canale modificato.
5. Spegnete l'interruttore Bloccaggio dell'ultimo microfono.

NOTA - Per evitare oscillazioni ad alta frequenza, non collegate mai il piedino di USCITA PORTA di un canale al relativo piedino di SILENZIAMENTO, a meno che non si sia eseguita la modifica da Silenziamento a Interdizione.



MODO "FILIBUSTER"
FIGURA 26

FUNZIONE DI INTERDIZIONE

Per informazioni sulla funzione di interdizione, consultate il supplemento *Modifiche interne*.

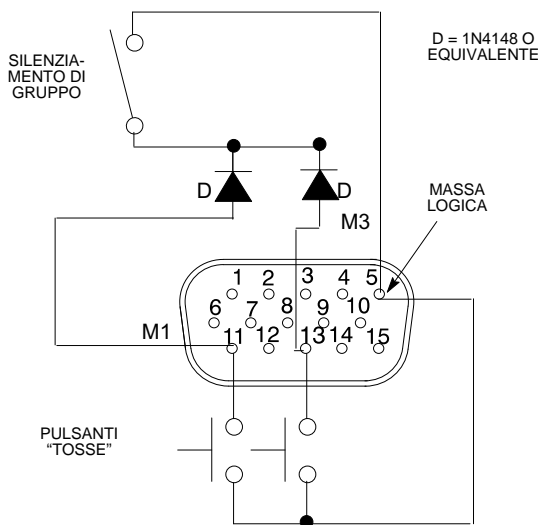
REGOLAZIONE A DISTANZA DEL VOLUME

Il livello dell'uscita ausiliaria o principale può essere comandato da un VCA (amplificatore controllato in tensione) esterno, quale l'RU-VCA1 della Radio Design Labs (Tel. 1-800-281-2683 negli U.S.A, oppure www.rdl-net.com). Per collegare un VCA al modello SCM410, procedete come segue.

1. Collegate l'uscita di linea del modello SCM410 all'ingresso di linea del VCA.
2. Collegate l'uscita di linea del VCA al dispositivo esterno.
3. Per ottenere la regolazione a distanza del livello principale, impostate il comando principale SCM410 su 5.

ISOLAMENTO A DIODI DEI COMANDI DEI CIRCUITI LOGICI

È possibile isolare con diodi due o più funzioni di comando che usano i piedini dello stesso circuito logico, come illustrato nella Figura 26. Con questa modifica un canale può essere silenziato da un interruttore di silenziamento di gruppo oppure dal proprio pulsante "tosse".

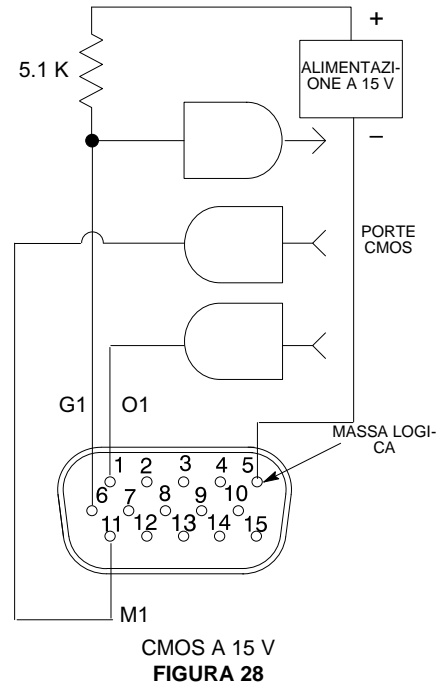


ISOLAMENTO A DIODI DEI TERMINALI DEL CIRCUITO LOGICO
FIGURA 27

DISPOSITIVI LOGICI ESTERNI

I livelli logici del modello SCM410 sono direttamente compatibili con le famiglie logiche TTL e CMOS a 5 V. I circuiti logici del mixer possono essere usati con la logica CMOS a 15 V se con ciascuna uscita di PORTA si impiega un resistore pull-up. Vedi Figura 27.

NOTA - Per informazioni sull'uso delle porte logiche, consultate i manuali *TTL Cookbook* e *CMOS Cookbook*, entrambi di D. Lancaster e pubblicati dalla Howard Sams Publishing Co.



CMOS A 15 V
FIGURA 28

REGOLAZIONI DIGITALI O MICROCOMPUTER

I piedini dei circuiti logici del modello SCM410 possono essere interfacciati con circuiti di regolazione digitale progettati su ordinazione o con microcomputer, per ottenere una vastissima gamma di funzioni di regolazioni d'impianto.



**United States, Canada, Latin
America, Caribbean:**

Shure Incorporated
5800 West Touhy Avenue
Niles, IL 60714-4608 USA

Phone: 847-600-2000
Fax: 847-600-1212 (USA)
Fax: 847-600-6446
Email: info@shure.com

Europe, Middle East, Africa:

Shure Europe GmbH
Jakob-Dieffenbacher-Str. 12,
75031 Eppingen, Germany

Phone: 49-7262-92490
Fax: 49-7262-92491 14
Email: info@shure.de

Asia, Pacific:

Shure Asia Limited
22/F, 625 King's Road
North Point, Island East
Hong Kong

Phone: 852-2893-4290
Fax: 852-2893-4055
Email: info@shure.com.hk